

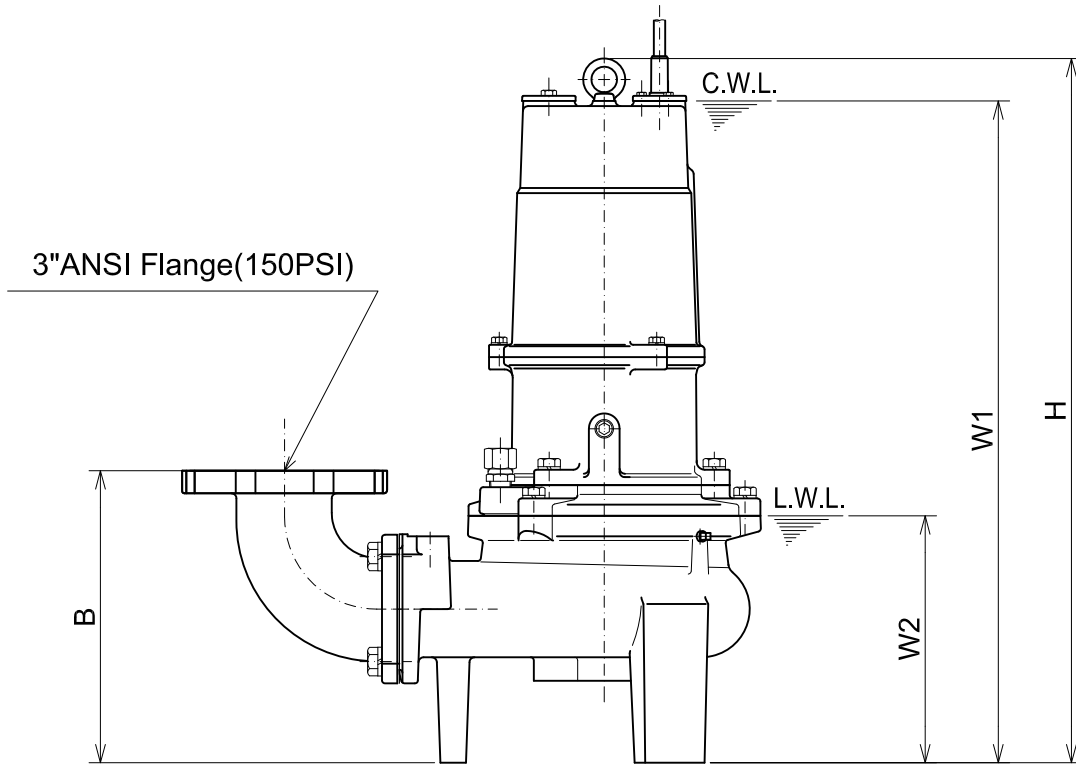
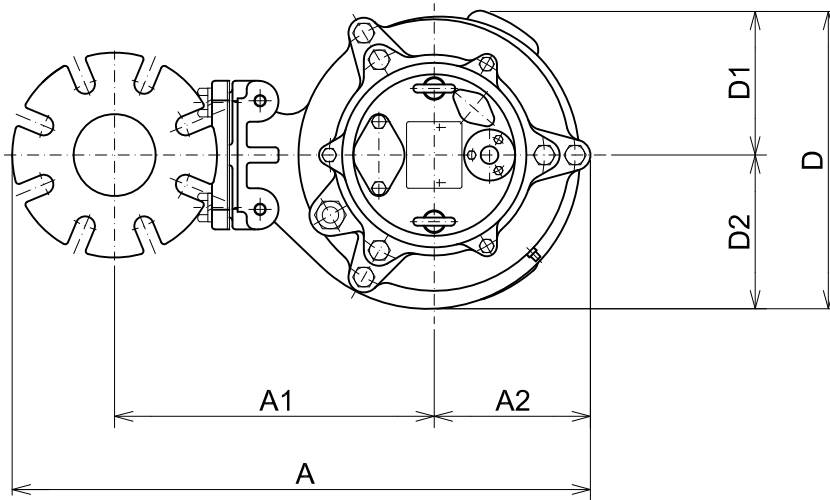


UZ-SERIES
VORTEX - SEWAGE & WASTEWATER PUMPS

DIMENSIONS

80UZ43.7 -61

Bend model:
 BEND80-80 ANSI



C.W.L. :Continuous running Water Level
 L.W.L. :Lowest running Water Level

DIMENSIONS:USCS(Inch)

Model	HP	NOM. SIZE	Pump & Motor								C.W.L. W1	L.W.L. W2	*Wt. (lbs.)
			A	A1	A2	B	D	D1	D2	H			
80UZ43.7 -61	5	3"	22 11/16	12 11/16	6	11 1/4	11 7/16	5 9/16	5 7/8	27 1/16	25 3/8	9 1/2	154

DIMENSIONS:METRIC(mm)

Model	kW	NOM. SIZE	Pump & Motor								C.W.L. W1	L.W.L. W2	*Wt. (kg)
			A	A1	A2	B	D	D1	D2	H			
80UZ43.7 -61	3.7	80	577	322	153	285	291	141	150	688	645	240	70

*Excluding Cable.