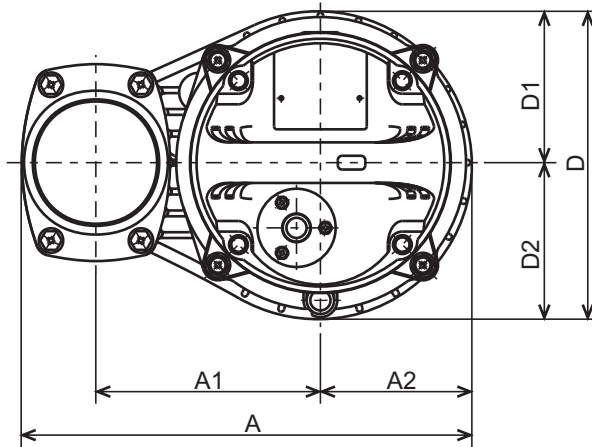


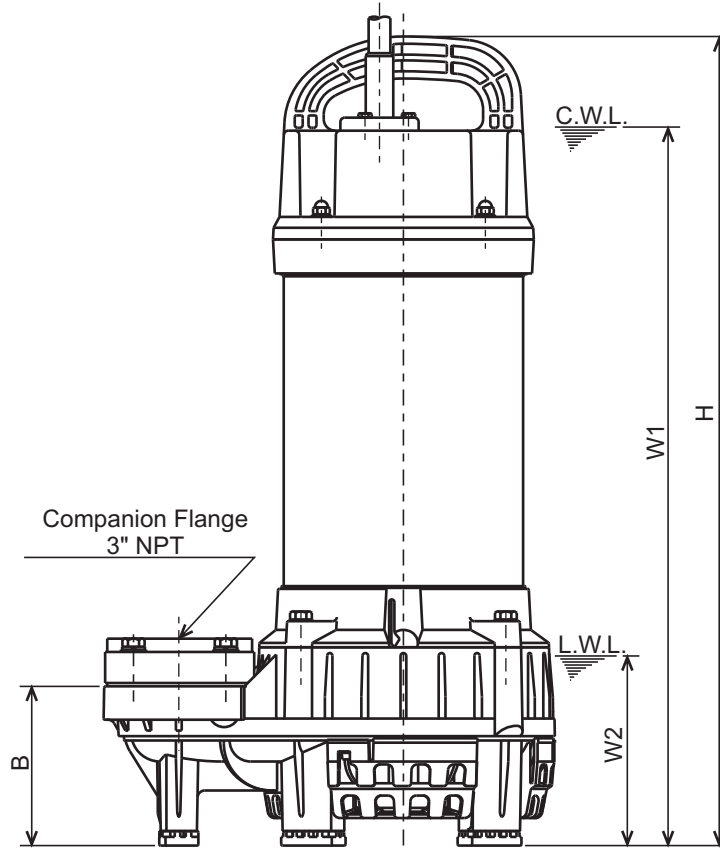


**VANCS - SERIES - PN**  
**(FRP) EFFLUENT PUMPS**

**DIMENSIONS**



**80PSF22.2-61**  
**80PSF23.7-61**



Companion Flange  
3" NPT

C.W.L. : Continuous running Water Level  
L.W.L. : Lowest running Water Level

**DIMENSIONS:USCS (Inch)**

Model	HP	NOM. SIZE	Pump & Motor								C.W.L.	L.W.L.	Wt. (lbs.)
			A	A1	A2	B	D	D1	D2	H	W1	W2	
80PSF22.2-61	3	3"	12 1/4	6 1/8	4 1/8	4 5/16	8 3/8	4 1/8	4 1/4	22	19 5/8	5 1/8	48
80PSF23.7-61	5	3"	12 1/4	6 1/8	4 1/8	4 5/16	8 3/8	4 1/8	4 1/4	23 3/8	21 1/8	5 1/8	59

**DIMENSIONS:METRIC (mm)**

Model	kW	NOM. SIZE	Pump & Motor								C.W.L.	L.W.L.	Wt. (kg)
			A	A1	A2	B	D	D1	D2	H	W1	W2	
80PSF22.2-61	2.2	80	311	155	105	110	212	104	108	559	500	130	22
80PSF23.7-61	3.7	80	311	155	105	110	212	104	108	594	535	130	27