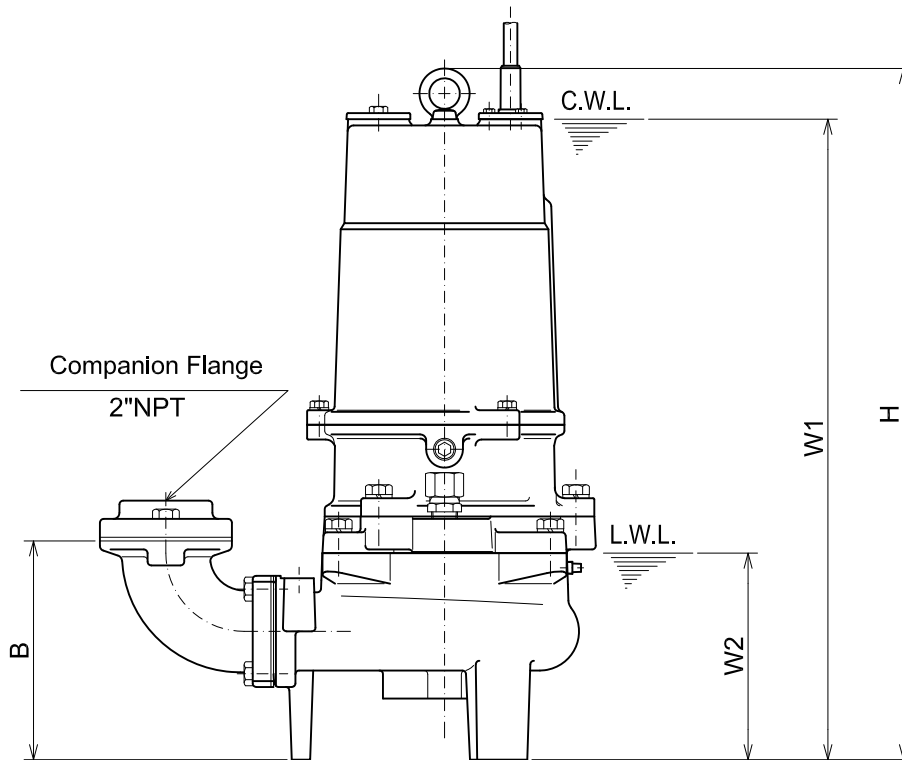
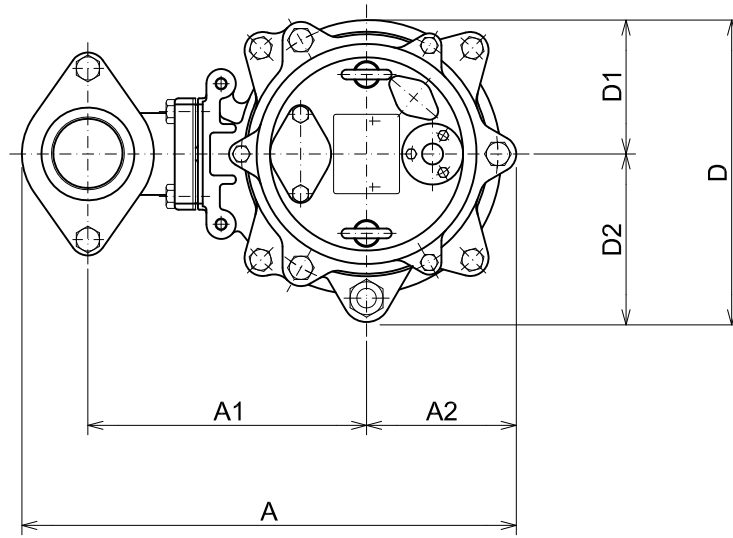


50UZ41.5 -61



C.W.L. :Continuous running Water Level
L.W.L. :Lowest running Water Level

DIMENSIONS:USCS(Inch)

Model	HP	NOM. SIZE	Pump & Motor							C.W.L. W1	L.W.L. W2	*Wt. (lbs.)	
			A	A1	A2	B	D	D1	D2				H
50UZ41.5 -61	2	2"	15 15/16	9	4 13/16	7 1/16	9 3/4	4 5/16	5 7/16	22 5/16	20 5/8	6 3/4	115

DIMENSIONS:METRIC(mm)

Model	kW	NOM. SIZE	Pump & Motor							C.W.L. W1	L.W.L. W2	*Wt. (kg)	
			A	A1	A2	B	D	D1	D2				H
50UZ41.5 -61	1.5	50	405	228	123	179	248	110	138	566	525	170	52

*Excluding Cable.