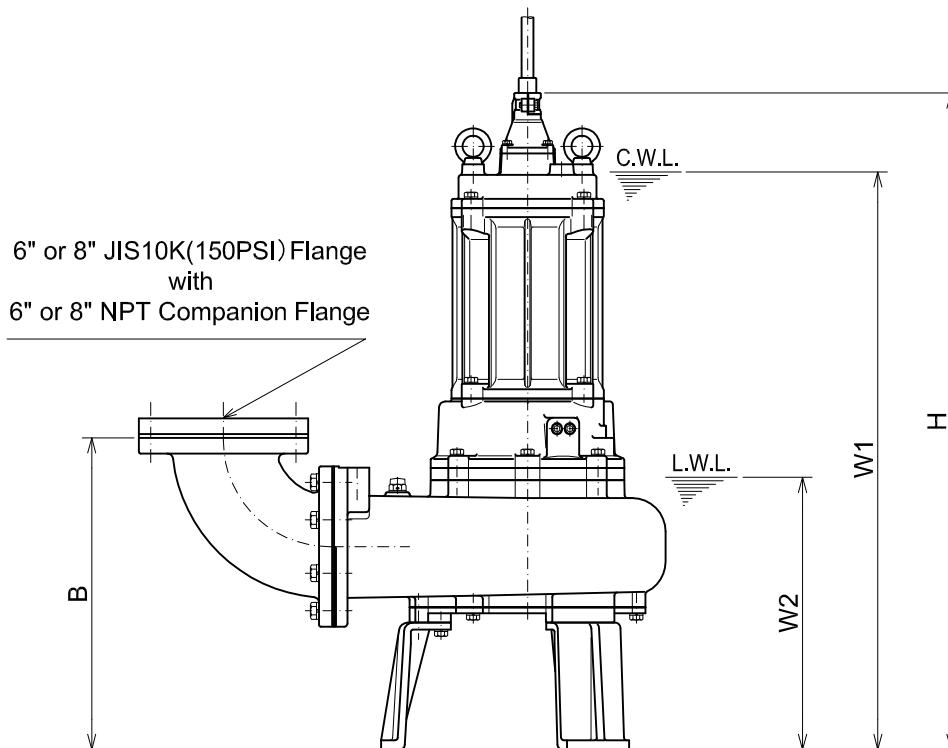
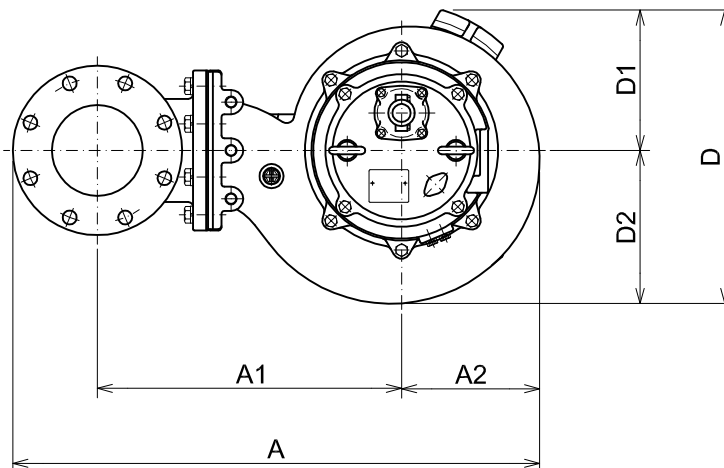




**B-SERIES**  
SEWAGE & WASTEWATER PUMPS

**DIMENSIONS**

150B47.5L -64  
200B47.5 -64



6" or 8" JIS10K(150PSI) Flange  
with  
6" or 8" NPT Companion Flange

C.W.L. :Continuous running Water Level  
L.W.L. :Lowest running Water Level

**DIMENSIONS:USCS(Inch)**

Model	HP	NOM. SIZE	Pump & Motor								C.W.L. W1	L.W.L. W2	Wt. (lbs.)
			A	A1	A2	B	D	D1	D2	H			
150B47.5L -64	10	6"	34 5/16	19 13/16	9	20 1/4	19 1/8	9 1/8	10	42 11/16	37 5/8	17 3/4	440
200B47.5 -64	10	8"	36 7/16	21	9	21 7/16	19 1/8	9 1/8	10	42 11/16	37 5/8	17 3/4	460

**DIMENSIONS:METRIC(mm)**

Model	kW	NOM. SIZE	Pump & Motor								C.W.L. W1	L.W.L. W2	Wt. (kg)
			A	A1	A2	B	D	D1	D2	H			
150B47.5L -64	7.5	150	871	503	228	515	486	232	254	1085	955	450	200
200B47.5 -64	7.5	200	926	533	228	545	486	232	254	1085	955	450	207