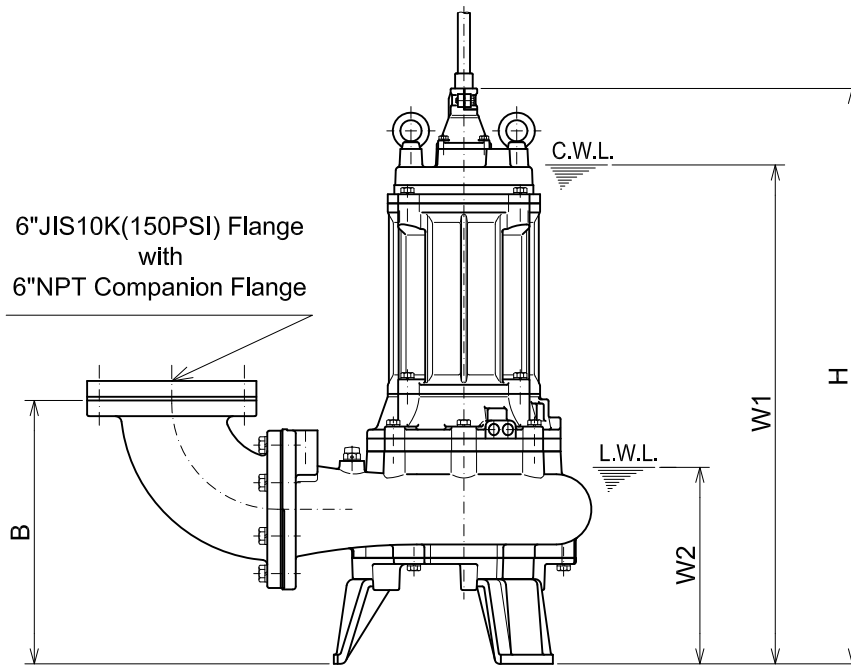
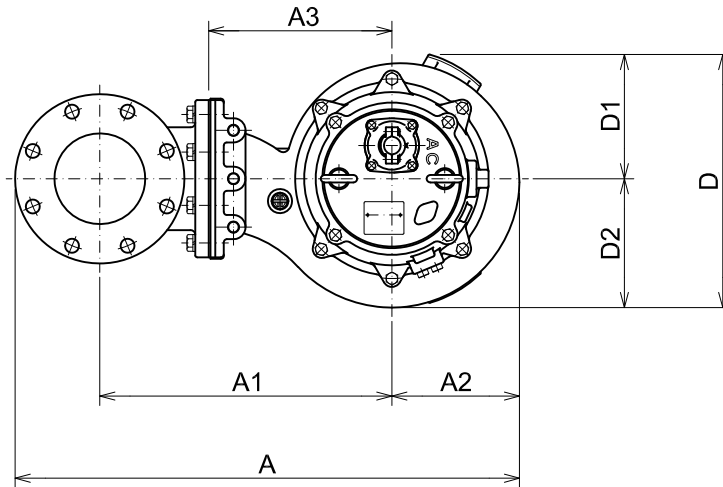




**B-SERIES
SEWAGE & WASTEWATER PUMPS**

DIMENSIONS

150B47.5H -63



C.W.L. :Continuous running Water Level
L.W.L. :Lowest running Water Level

DIMENSIONS:USCS(Inch)

Model	HP	NOM. SIZE	Pump & Motor									C.W.L.	L.W.L.	Wt. (lbs.)
			A	A1	A2	A3	B	D	D1	D2	H			
150B47.5H -63	10	6"	32 13/16	19	8 5/16	11 13/16	17 3/16	16 7/16	8 1/16	8 3/8	37 1/2	32 1/2	12 3/4	463

*Excluding Cable.

DIMENSIONS:METRIC(mm)

Model	kW	NOM. SIZE	Pump & Motor									C.W.L.	L.W.L.	Wt. (kg)
			A	A1	A2	A3	B	D	D1	D2	H			
150B47.5H -63	7.5	150	834	483	211	300	436	418	205	213	952	825	325	210