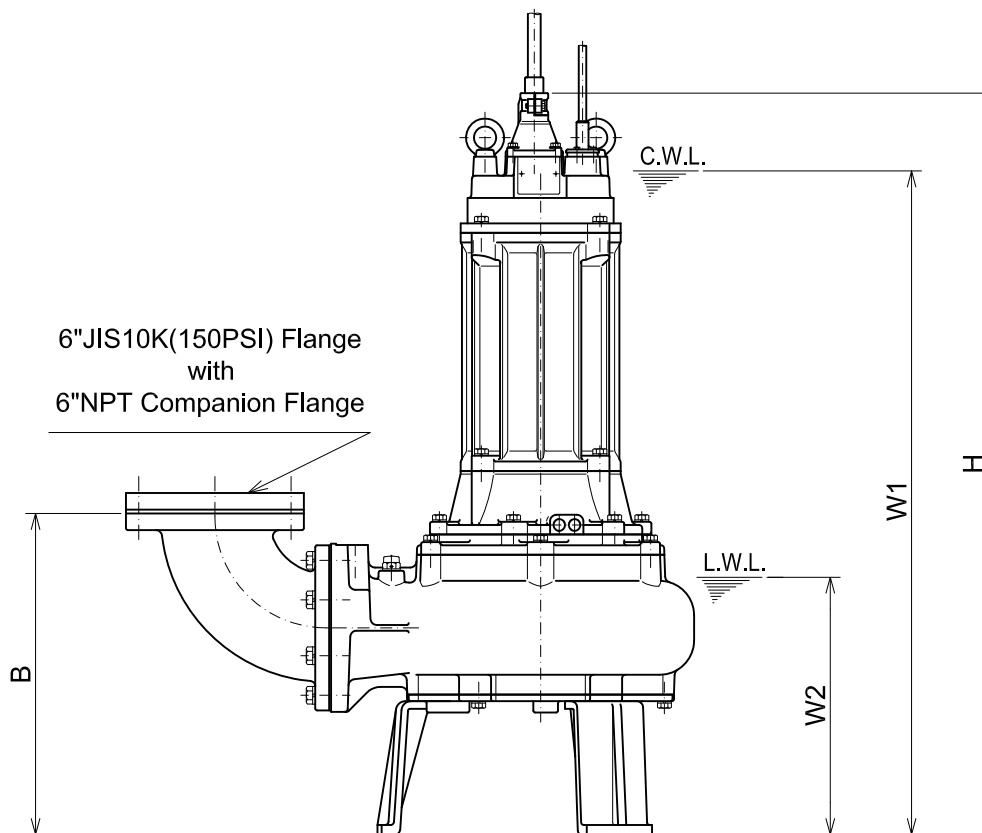
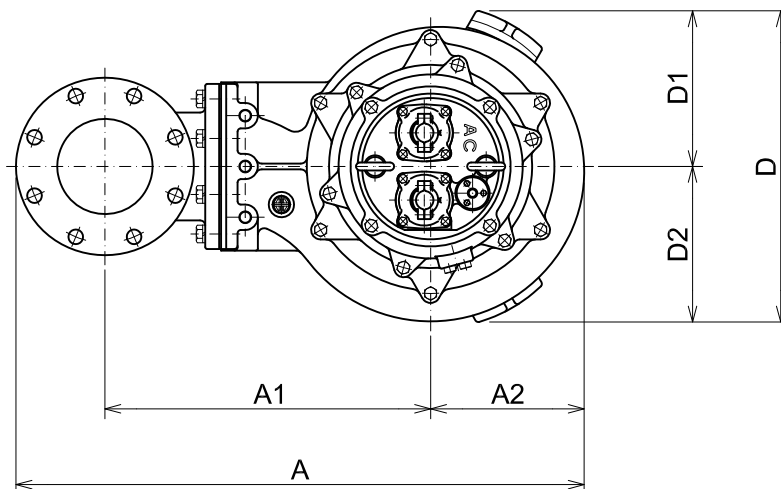




**B-SERIES**  
SEWAGE & WASTEWATER PUMPS

**DIMENSIONS**

150B415 -63



6"JIS10K(150PSI) Flange  
with  
6"NPT Companion Flange

C.W.L. :Continuous running Water Level  
L.W.L. :Lowest running Water Level

**DIMENSIONS:USCS(Inch)**

Model	HP	NOM. SIZE	Pump & Motor								C.W.L.	L.W.L.	Wt. (lbs.)
			A	A1	A2	B	D	D1	D2	H			
150B415 -63	20	6"	35 1/4	20 3/16	9 1/2	19 15/16	19 5/16	9 5/8	9 5/8	46	41 1/8	16	595

**DIMENSIONS:METRIC(mm)**

Model	kW	NOM. SIZE	Pump & Motor								C.W.L.	L.W.L.	Wt. (kg)
			A	A1	A2	B	D	D1	D2	H			
150B415 -63	15	150	895	513	242	506	490	245	245	1168	1045	405	270