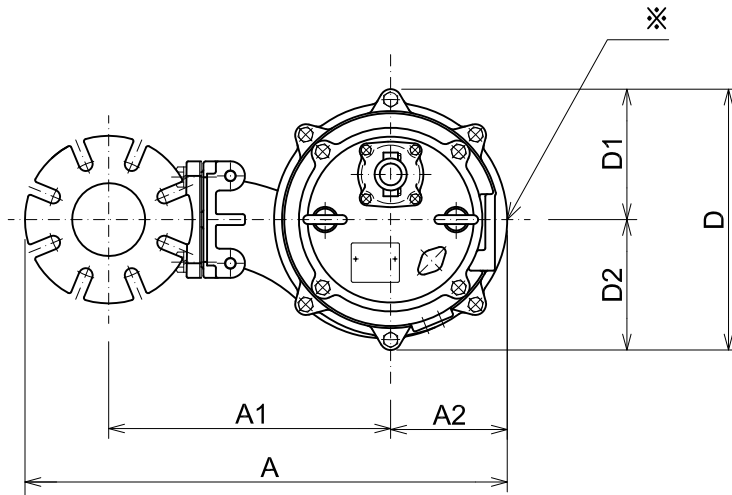




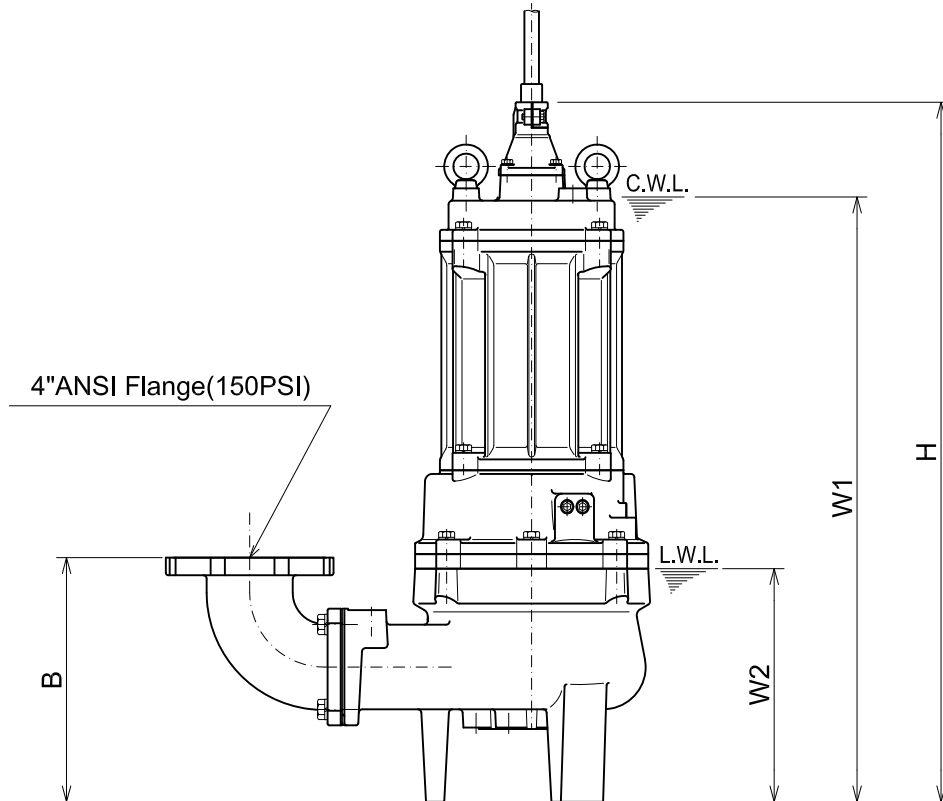
UZ-SERIES
VORTEX - SEWAGE & WASTEWATER PUMPS

DIMENSIONS

Bend model:
BEND 100-100 ANSI



100UZ45.5 -64
100UZ47.5 -64



※An air release hole is provided on the top of the pump casing.

C.W.L. :Continuous running Water Level
L.W.L. :Lowest running Water Level

DIMENSIONS:USCS(Inch)

Model	HP	NOM. SIZE	Pump & Motor							C.W.L. W1	L.W.L. W2	*Wt. (lbs.)	
			A	A1	A2	B	D	D1	D2				H
100UZ45.5 -64	7.5	4"	26 7/16	15 5/16	6 5/16	13 3/16	14 1/8	7 1/16	7 1/16	36 15/16	31 7/8	12 5/8	309
100UZ47.5 -64	10	4"	26 7/16	15 5/16	6 5/16	13 3/16	14 1/8	7 1/16	7 1/16	37 13/16	32 5/8	12 5/8	340

DIMENSIONS:METRIC(mm)

Model	kW	NOM. SIZE	Pump & Motor							C.W.L. W1	L.W.L. W2	*Wt. (kg)	
			A	A1	A2	B	D	D1	D2				H
100UZ45.5 -64	5.5	100	672	397	160	335	358	179	179	939	810	320	140
100UZ47.5 -64	7.5	100	672	397	160	335	358	179	179	960	830	320	154

*Excluding Cable.