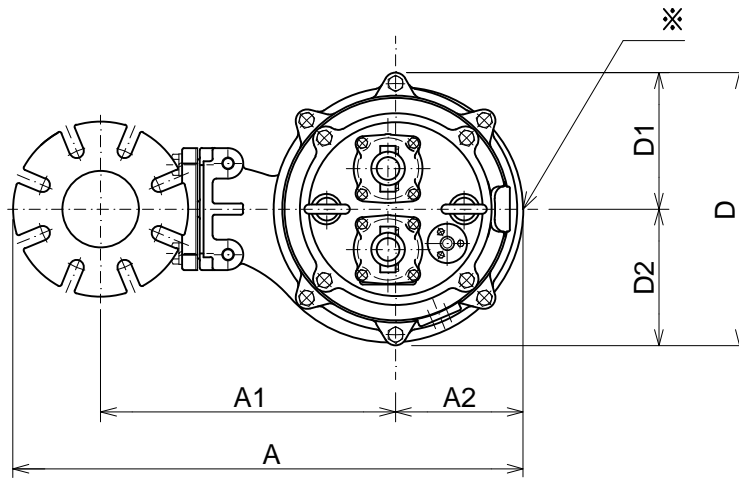




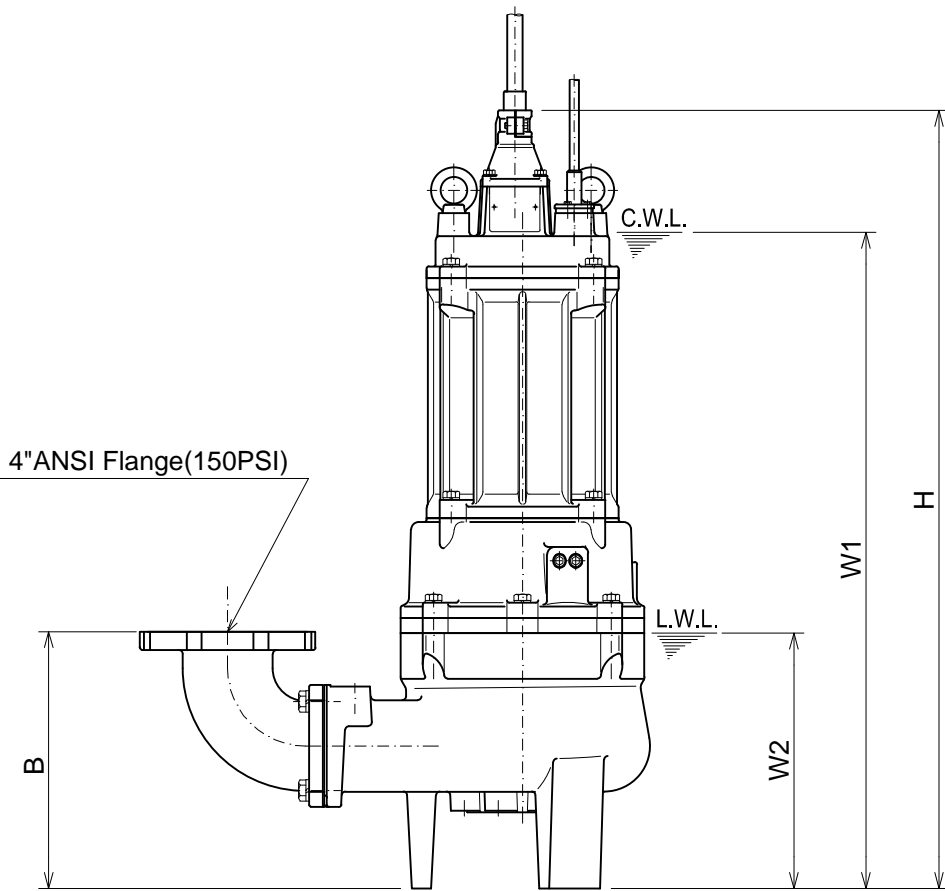
UZ-SERIES
VORTEX - SEWAGE & WASTEWATER PUMPS

DIMENSIONS

Bend model:
BEND100-100 ANSI



100UZ411 -64



※An air release hole is provided on the top of the pump casing.

C.W.L. :Continuous running Water Level
L.W.L. :Lowest running Water Level

DIMENSIONS:USCS(Inch)

Model	HP	NOM. SIZE	Pump & Motor							C.W.L. W1	L.W.L. W2	*Wt. (lbs.)	
			A	A1	A2	B	D	D1	D2				H
100UZ411 -64	15	4"	26 3/4	15 5/8	6 5/8	13 1/4	14 1/8	7 1/16	7 1/16	40 3/16	34	13 1/4	406

DIMENSIONS:METRIC(mm)

*Excluding Cable.

Model	kW	NOM. SIZE	Pump & Motor							C.W.L. W1	L.W.L. W2	*Wt. (kg)	
			A	A1	A2	B	D	D1	D2				H
100UZ411 -64	11	100	680	397	168	337	358	179	179	1021	865	335	184