

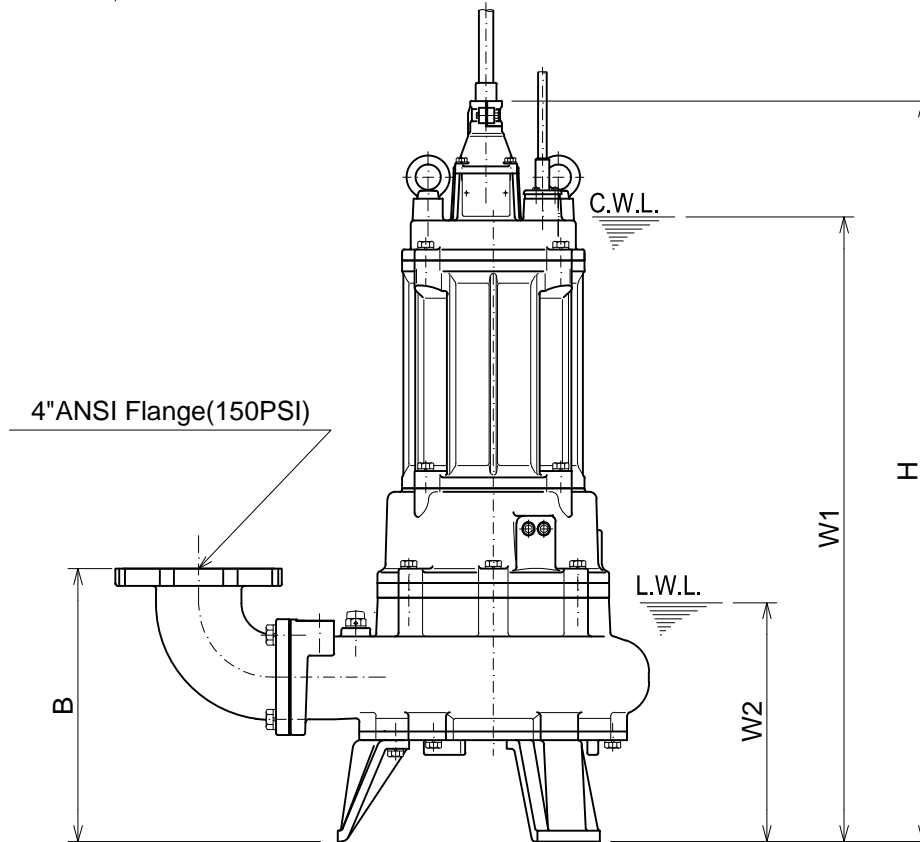
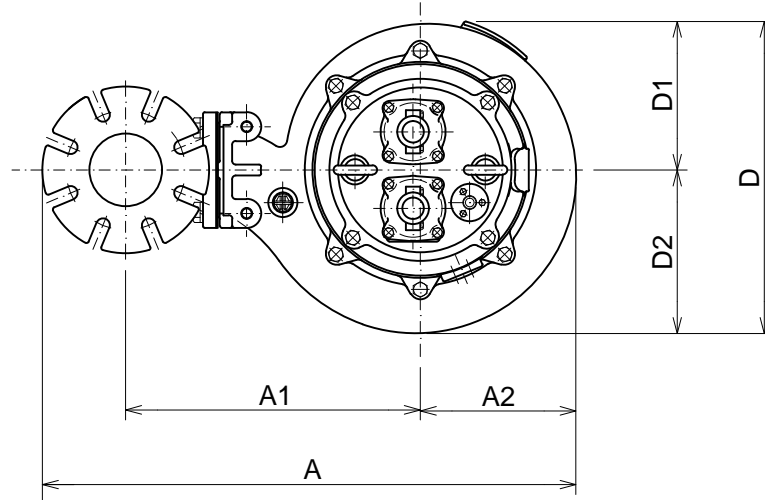


BZ-SERIES
SEWAGE & WASTEWATER PUMPS

DIMENSIONS

100BZ411 -63

Bend model:
BEND100-100 ANSI



C.W.L. :Continuous running Water Level
L.W.L. :Lowest running Water Level

DIMENSIONS:USCS(Inch)

Model	HP	NOM. SIZE	Pump & Motor								C.W.L.	L.W.L.	*Wt. (lbs.)
			A	A1	A2	B	D	D1	D2	H			
100BZ411 -62	15	4"	29 7/16	16 7/16	8 7/16	14 13/16	16 15/16	8 1/16	8 7/8	40 1/4	34	13	472

DIMENSIONS:METRIC(mm)

Model	kW	NOM. SIZE	Pump & Motor								C.W.L.	L.W.L.	*Wt. (kg)
			A	A1	A2	B	D	D1	D2	H			
100BZ411 -62	11	100	747	417	215	377	431	205	226	1023	865	330	214

*Excluding Cable.