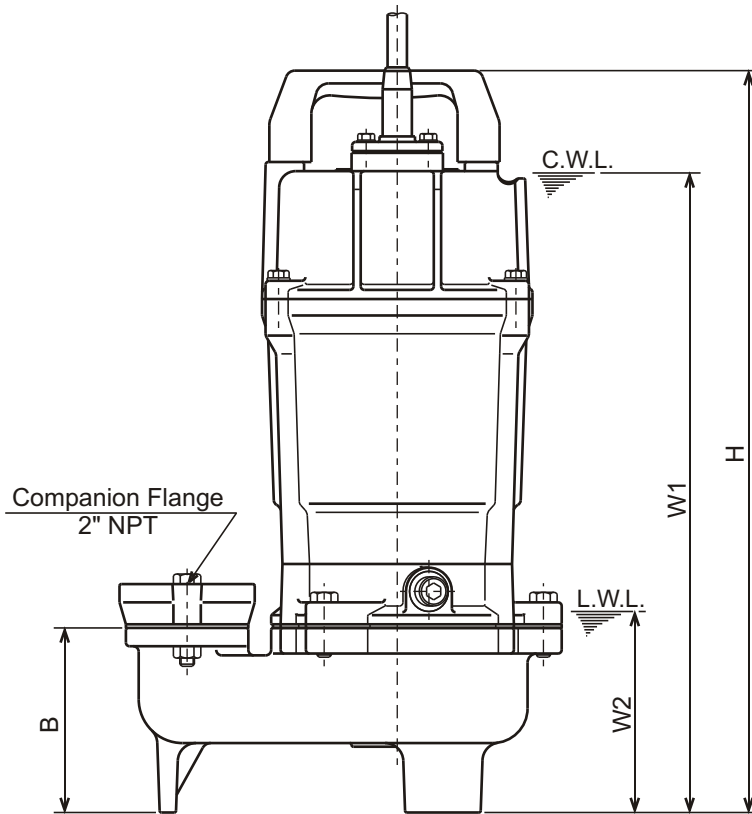
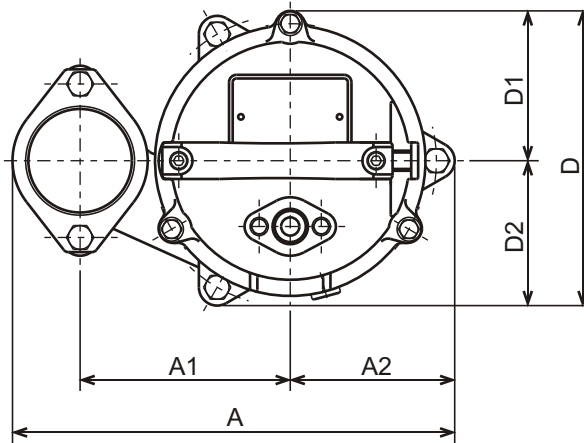




UT - SERIES
SUBMERSIBLE SEMI-VORTEX-SEWAGE PUMPS

DIMENSIONS

50UT2.75S-61



C.W.L. :Continuous running Water Level
 L.W.L. :Lowest running Water Level

DIMENSIONS:USCS (Inch)

Model	HP	NOM. SIZE	Pump & Motor								C.W.L.	L.W.L.	Wt.
			A	A1	A2	B	D	D1	D2	H	W1	W2	(lbs.)
50UT2.75S-61	1	2"	9 1/2	4 1/2	3 9/16	4	6 3/8	3 1/4	3 1/8	16	13 3/4	4 3/8	37

DIMENSIONS:METRIC (mm)

Model	kW	NOM. SIZE	Pump & Motor								C.W.L.	L.W.L.	Wt.
			A	A1	A2	B	D	D1	D2	H	W1	W2	(kg)
50UT2.75S-61	0.75	50	242	115	90	101	161	82	79	406	350	110	17.0