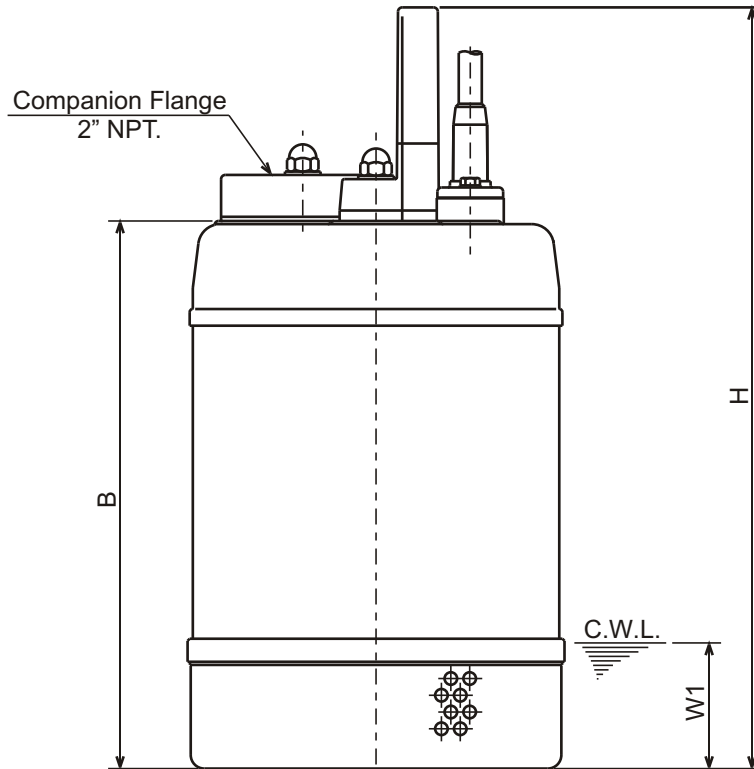
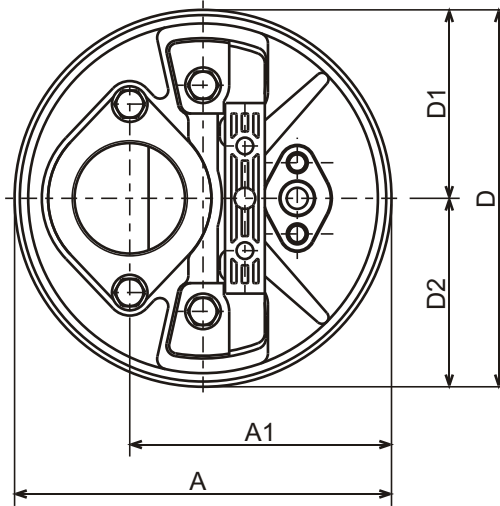




**SQ - SERIES**  
**ALL 304 SS - DEWATERING PUMPS**

**DIMENSIONS**

**50SQ2.4S-62**  
**50SQ2.75-62**



C.W.L. : Continuous running Water Level

**DIMENSIONS:USCS (Inch)**

Model	HP	NOM. SIZE	Pump & Motor								C.W.L.	Wt. (lbs.)
			A	A1	B	D	D1	D2	H	W1		
50SQ2.4S-62	1/2	2"	7 1/16	4 15/16	10 5/16	7 1/16	3 9/16	3 9/16	14 5/16	2 3/8	29	
50SQ2.75-62	1	2"	7 1/16	4 15/16	11 1/16	7 1/16	3 9/16	3 9/16	15 1/8	2 3/8	31	

**DIMENSIONS:METRIC (mm)**

Model	kW	NOM. SIZE	Pump & Motor								C.W.L.	Wt. (kg)
			A	A1	B	D	D1	D2	H	W1		
50SQ2.4S-62	0.40	50	180	125	262	180	90	90	364	60	13	
50SQ2.75-62	0.75	50	180	125	282	180	90	90	384	60	14	