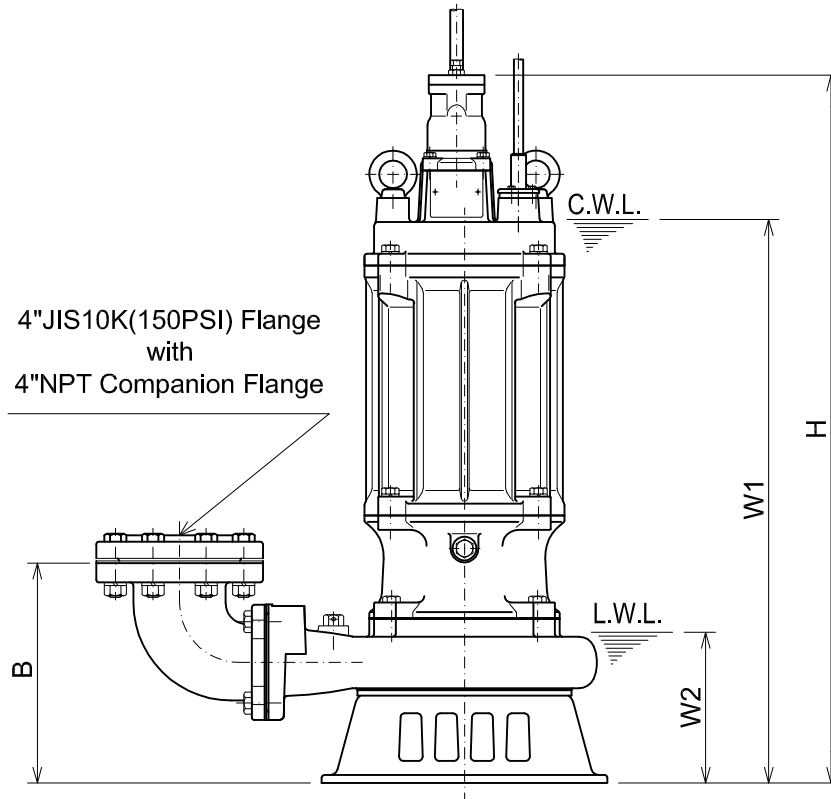
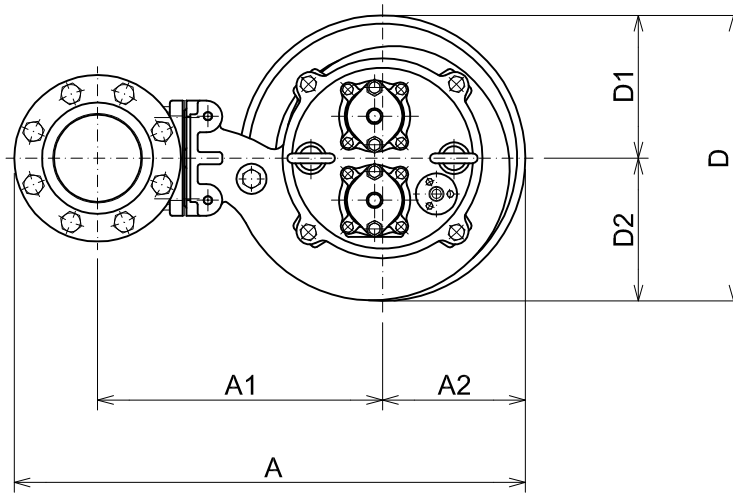




**SFQ-SERIES**  
**ALL316SS - DEWATERING PUMPS**

**DIMENSIONS**

100SFQ211 -62



C.W.L. :Continuous running Water Level  
 L.W.L. :Lowest running Water Level

**DIMENSIONS:USCS(Inch)**

Model	HP	NOM. SIZE	Pump & Motor								C.W.L.	L.W.L.	Wt. (lbs.)
			A	A1	A2	B	D	D1	D2	H			
100SFQ211 -62	15	4"	25 3/8	14 1/8	7 1/16	10 7/8	14 3/16	7 1/16	7 1/16	35 1/8	28	7 1/2	320

**DIMENSIONS:METRIC(mm)**

Model	kW	NOM. SIZE	Pump & Motor								C.W.L.	L.W.L.	Wt. (kg)
			A	A1	A2	B	D	D1	D2	H			
100SFQ211 -62	11	100	644	359	180	277	360	180	180	892	710	190	145