

6NHTA-F16



***NOW STOCKED IN CD4MCu**

AVAILABLE MOUNTING CONFIGURATIONS

6NHTA-F FRAME MOUNT
 6NHTA-RP-F REDI-PRIME FRAME MOUNT
 6NHTA-EM ENGINE MOUNT
 6NHTA-RP-EM REDI-PRIME ENGINE MOUNT
 6NHTA-VC VERTICAL COUPLED
 6NHTA-VF VERTICAL FRAME MOUNT

OPERATING LEVELS

MIN FLOW	400 GPM	90.8 m ³ /h
MAX FLOW	2800 GPM	635.95 m ³ /h
DISCHARGE SIZE	6"	152.4 mm
SUCTION SIZE	6"	152.4 mm
SOLIDS HANDLING	3"	76.2 mm
MAX SPEED	2000 RPM	2000 RPM
SHUT-OFF HEAD	295'	71.63 m
BEP HEAD	170'	52 m
BEP FLOW	2500 GPM	567 m ³ /h
BEP PERCENT	83%	83%



A typical picture of the pump is shown. Please contact Cornell Pump Company for further details. All information is approximate and for general guidance only.

PARTS	STANDARD MATERIAL (ALL IRON)	CD4MCU
WEAR RING	CAST IRON	CD4MCU
IMPELLER	CAST IRON	CD4MCU
VOLUTE	CAST IRON	CD4MCU
SHAFT	STRESSPROOF STEEL	17-4PH
SHAFT SLEEVE	416 STAINLESS STEEL	CD4MCU
BACKPLATE	CAST IRON	CD4MCU
MECHANICAL SEAL	TUNGSTEN CARBIDE VS. SILICON CARBIDE	TUNGSTEN CARBIDE VS. SILICON CARBIDE
BEARING FRAME	CAST IRON	CAST IRON

The 6NHTA pump is designed with Cornell's renowned quality and durability. It features a 6" discharge, 6" suction, and enclosed impeller. Available in All Iron or CD4MCu materials. Cornell's patented Cycloseal® design is standard, with a Type 1 or 2 single mechanical seal with Buna-N elastomers, stainless steel hardware and tungsten carbide vs. silicon carbide seal faces for abrasion resistance.

- Cycloseal is Standard
- Heavy Duty Bearing Frame
- Robust Construction
- Two year warranty
- High efficiency
- Can be fitted with cutters without external dimension change



AGRICULTURE



FOOD



INDUSTRIAL



MINING



MUNICIPAL



OIL & GAS



REFRIGERATION

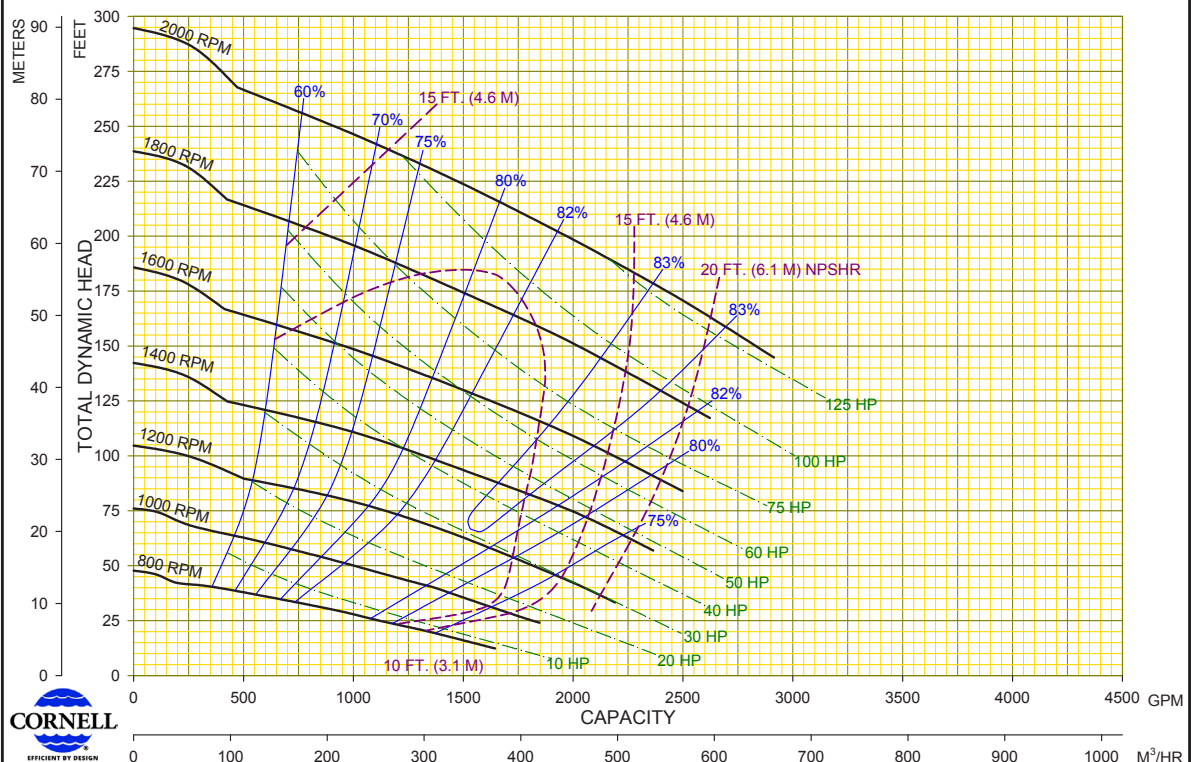


RENTAL

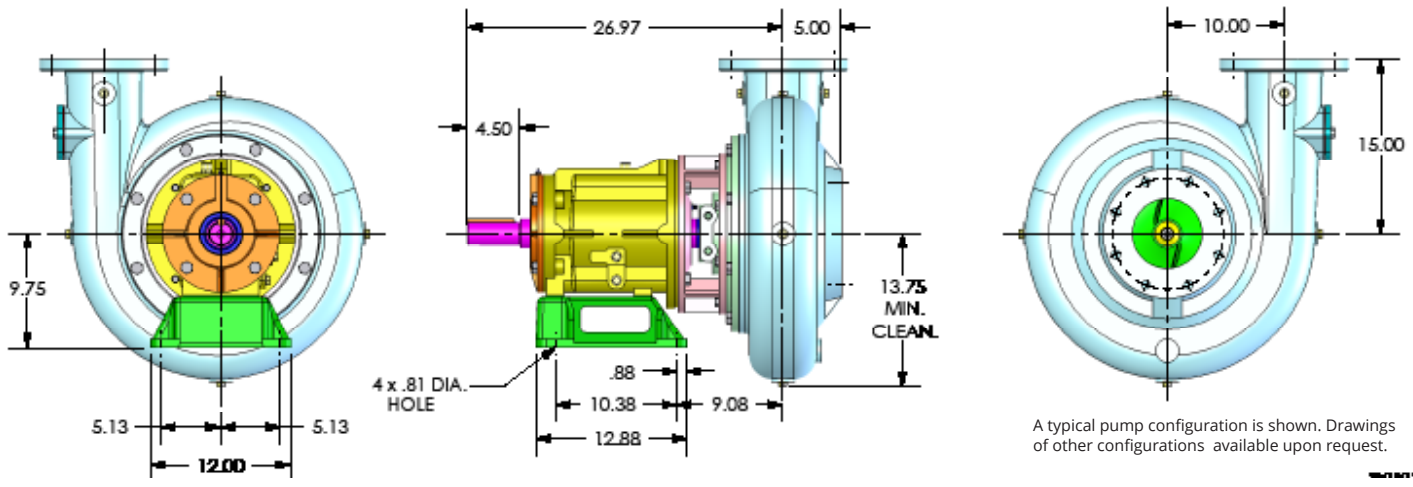
6NHTA-F16



Performances shown are for S.G. 1.0 60°F water, close-coupled configuration. Other mounting styles or S.G. may require curve adjustments.	Speed	Impeller Dia.	Style	Volute	Solids Dia.	N _s	Suction	Discharge	No. Vanes
	VARIOUS	14.0"	ENCLOSED	SINGLE	3"	2120	6"	6"	2



Cornell Pump Company • Clackamas, Oregon	03 08/27/15 CTG	MODEL: 6NHTA	CURVE NO:
	00 09/15/99	TYPE: SOLIDS HANDLING	6NHTAVA



A typical pump configuration is shown. Drawings of other configurations available upon request.