

# 4514T-F



### AVAILABLE MOUNTING CONFIGURATIONS

- 4514T-RP-F REDI-PRIME FRAME MOUNT
- 4514T-F FRAME MOUNT
- 4514T-RP-EM REDI-PRIME ENGINE MOUNT
- 4514T-EM ENGINE MOUNT
- 4514T-VF VERTICAL FRAME MOUNT
- 4514T-VC VERTICAL COUPLED

### OPERATING LEVELS

<b>MIN FLOW</b>	450 GPM	102.2 m <sup>3</sup> /h
<b>MAX FLOW</b>	2010 GPM	456.5 m <sup>3</sup> /h
<b>DISCHARGE SIZE</b>	4"	101.6 mm
<b>SUCTION SIZE</b>	5"	127 mm
<b>SOLIDS HANDLING</b>	3"	7.6 mm
<b>MAX SPEED</b>	2300 RPM	2300 RPM
<b>SHUT-OFF HEAD</b>	395'	120.4 m
<b>BEP HEAD</b>	260'	79.2 m
<b>BEP FLOW</b>	1650 GPM	374.8 m <sup>3</sup> /h
<b>BEP PERCENT</b>	74%	74%



A typical picture of the pump is shown. Please contact Cornell Pump Company for further details. All information is approximate and for general guidance only.

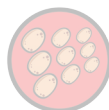
PARTS	STANDARD MATERIAL (ALL IRON)
<b>WEAR RING</b>	CAST IRON ASTM A48
<b>IMPELLER</b>	CAST IRON ASTM A48
<b>VOLUTE</b>	CAST IRON ASTM A48
<b>SHAFT</b>	SAE 1144 "STRESSPROOF"
<b>SHAFT SLEEVE</b>	416 STAINLESS STEEL
<b>SUCTION COVER</b>	CAST IRON ASTM A48
<b>MECHANICAL SEAL</b>	T-2, BUNA, TUNGSTEN/SILICON CARBIDE/STAINLESS
<b>BEARING FRAME</b>	CAST IRON ASTM A48
<b>BACKPLATE</b>	CAST IRON ASTM A48

The 4514T pump is designed with Cornell's renowned quality and durability. It features a 4" discharge, 5" suction, and enclosed impeller. Cornell's patented Cycloseal® design is standard, with a Type 1 or 2 single mechanical seal with Buna-N elastomers, stainless steel hardware and tungsten carbide vs. silicon carbide seal faces for abrasion resistance.

- High Efficiency
- Long Bearing life
- Cycloseal Sealing System
- Can be fitted with cutters without dimension changes
- Low NPSHr
- Two year warranty
- Robust Construction



AGRICULTURE



FOOD



INDUSTRIAL



MINING



MUNICIPAL



OIL & GAS

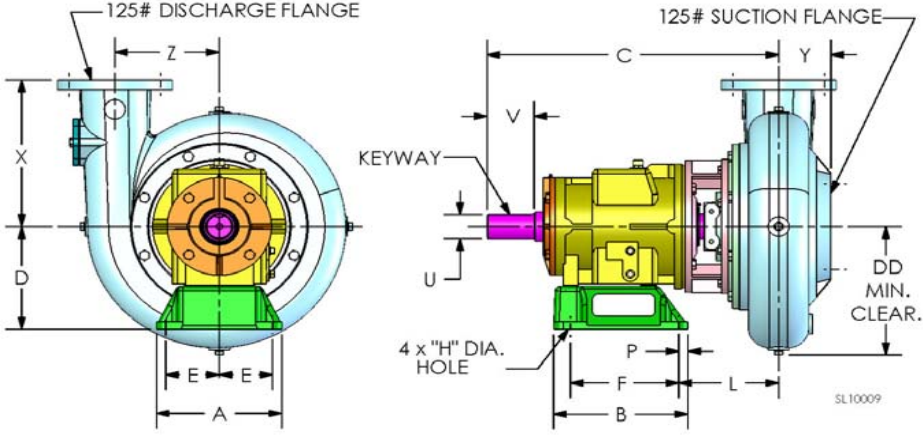
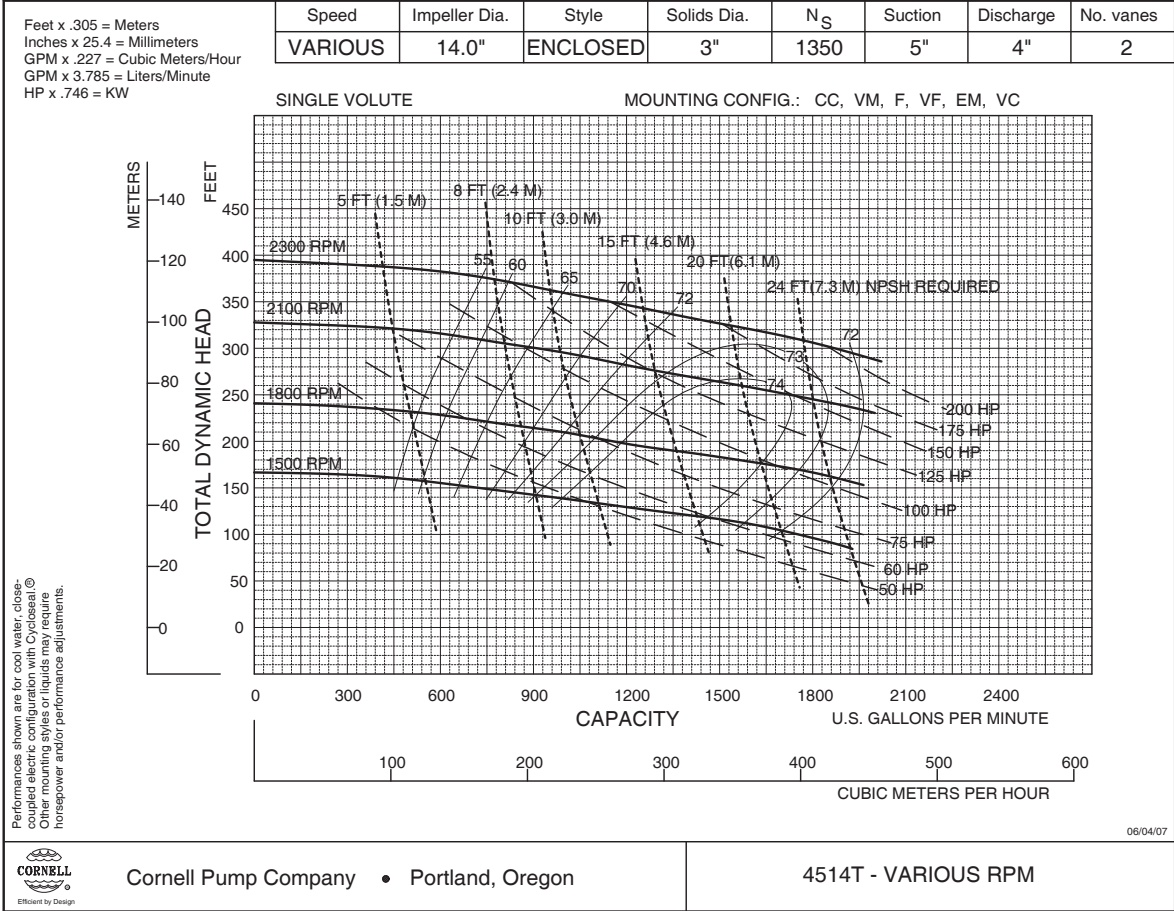


REFRIGERATION



RENTAL

# 4514T-F



PUMP DIMENSIONS																				
MODEL	CONNECTION			DISCH. INCR.	A	B	C	D	DD	E	F	H	L	P	U	V	X	Y	Z	KEYWAY
	FRAME	DISCH.	SUCT.																	
4514T	F18	4	5	45°	12	12.88	27.5	10.5	11.31	5.12	10.38	0.81	9.12	0.88	2.5	4.5	11	4.75	9.25	.62 X .31

DS119a-1703-GE