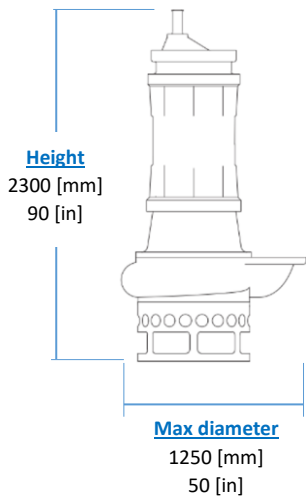
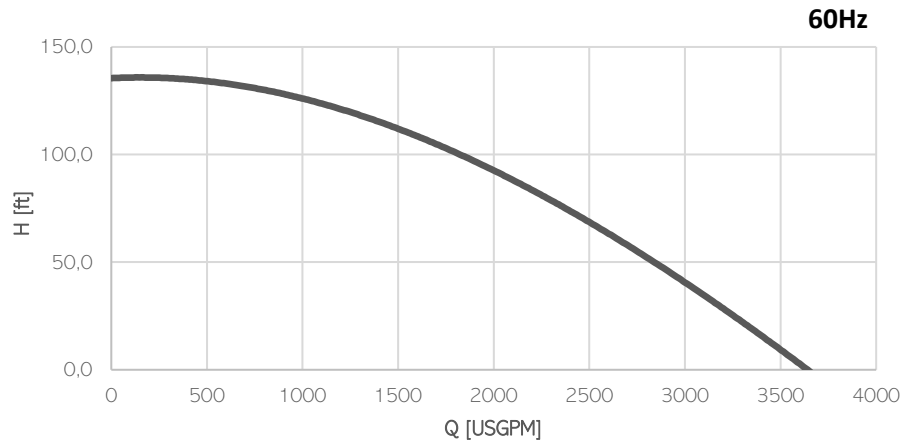


ELECTRIC PUMP

EL110



KG
Weight
(without cable)
2450 [kg]
5400 [lb]

Model	EL110
Brake Power [kW HP]	80 107
Electric Power [kW HP]	85 114
Frequency [Hz]	60
Efficiency [%]	55%
Number of Poles	8
RPM	894
Voltage [V]	575
Rated Current [A]	103,2
Solid handling [mm in]	60 2.4
Discharge [DN-PN]	200-10

Materials

Part	Standard
Casing	Cast Iron EN-GJS500
Body	Cast Iron EN-GJL250
Wear Parts	High chrome EN-GJN-HV600 (CH6)
Minimum hardness [HB]	550
Main shaft	High tensile 39NiCrMo3
PH Range	5-10

Seals and lubricants

Version	-	-	MS
Motor Side	-	-	MECHANICAL
Impeller Side	-	-	MECHANICAL
Oil type	-	-	ISO32

Electrical motor

Insulation class H

Cable

1 x SHD-GC cable 15m (50ft)

Operating Conditions

- Max liquid temperature 35°C
- Min submersion depth 1820 mm