



AVAILABLE MOUNTING CONFIGURATIONS

14NHG28-F FRAME MOUNT
 14NHG28-RP-F REDI-PRIME FRAME MOUNT
 14NHG28-EM ENGINE MOUNT
 14NHG28-RP-EM REDI-PRIME ENGINE MOUNT
 14NHG28-VF VERTICAL FRAME MOUNT

OPERATING LEVELS

MIN FLOW	3000 GPM	681 m ³ /h
MAX FLOW	13800 GPM	3132.6 m ³ /h
DISCHARGE SIZE	14"	356 mm
SUCTION SIZE	14"	406.4 mm
SOLIDS HANDLING	4.25"	10.6 cm
MAX SPEED	1200 RPM	1200 RPM
SHUT-OFF HEAD	425'	129.5 m
BEP HEAD	300'	91.5 m
BEP FLOW	11600 GPM	2633 m ³ /h
BEP PERCENT	85%	85%



A typical picture of the pump is shown. Please contact Cornell Pump Company for further details. All information is approximate and for general guidance only.

PARTS	STANDARD MATERIAL (ALL IRON)
WEAR RING	CAST IRON ASTM A48
IMPELLER	CAST IRON ASTM A48
VOLUTE	DUCTILE IRON
SHAFT	17-4PH STAINLESS STEEL
SHAFT SLEEVE	416 STAINLESS STEEL
SUCTION COVER	CAST IRON ASTM A48
MECHANICAL SEAL	TUNGSTEN CARBIDE VS. SILICON CARBIDE
BEARING FRAME	CAST IRON ASTM A48

The 14NHG28 pump is designed with Cornell's renowned quality and durability. It features a 14" discharge, 14" suction, and double volute. Cornell's patented Cycloseal® design is standard, with a Type 2 single mechanical seal, stainless steel hardware and tungsten carbide vs. silicon carbide seal faces for abrasion resistance. Bearings are a heavy duty grease-lubricated ball bearings with a minimum life of 50,000 hours.

- Superior lift capability
- Robust solids handling capability
- Premium hydraulic efficiency
- Cycloseal® design mechanical seal
- Heavy-duty construction
- RunDry™ option
- Redi-Prime® fully automatic self-priming; dry-priming available



AGRICULTURE



FOOD



INDUSTRIAL



MINING



MUNICIPAL



OIL & GAS

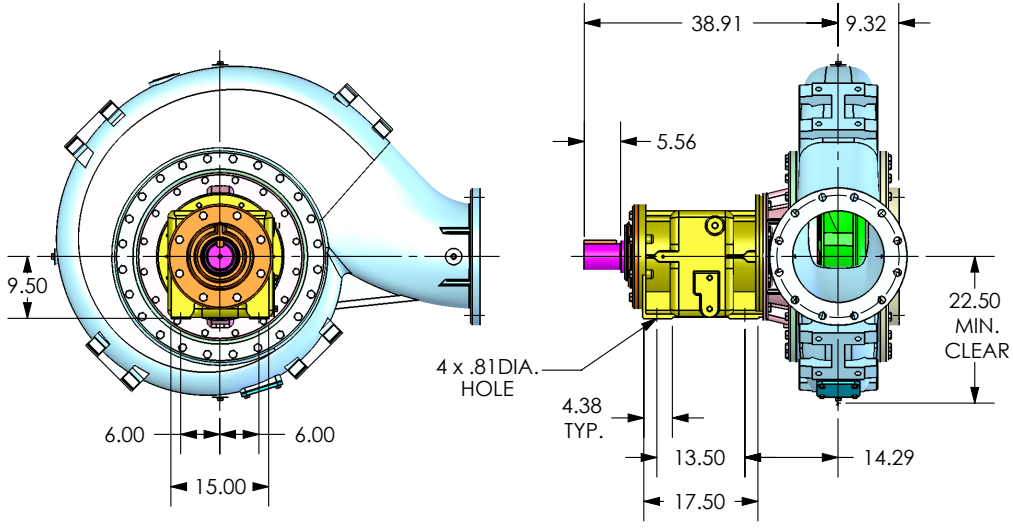


REFRIGERATION



RENTAL

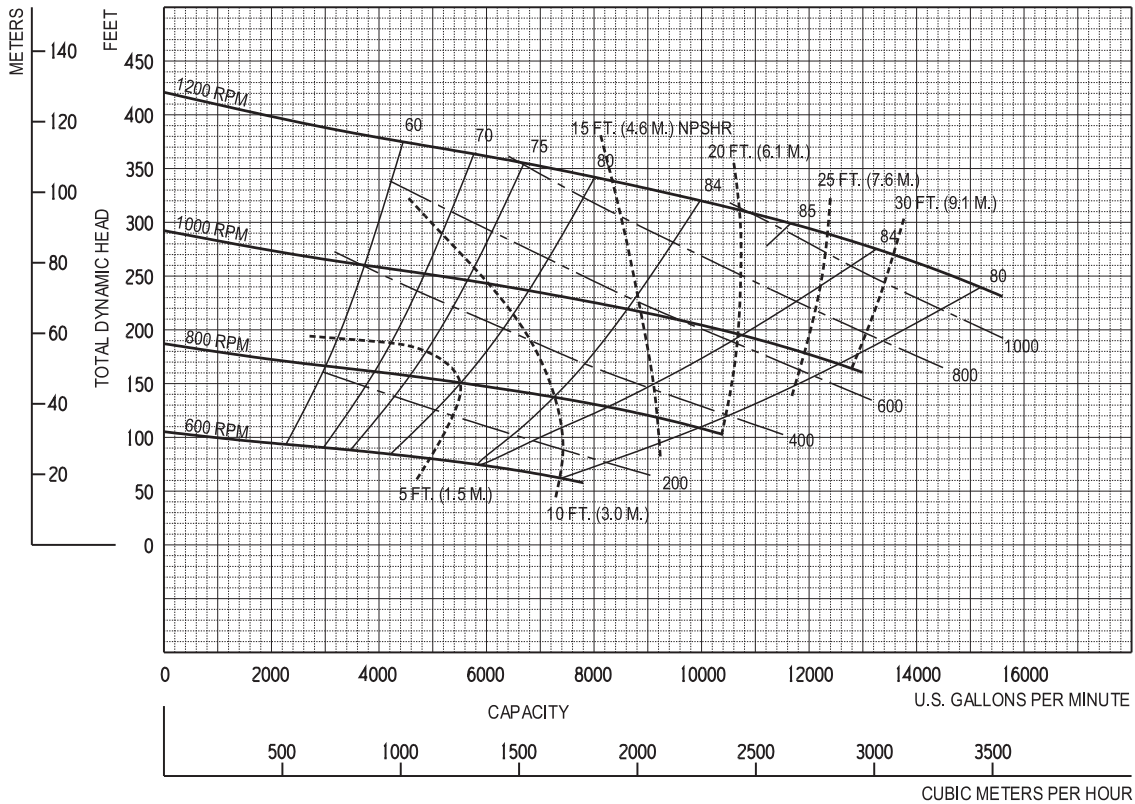
14NHG28



Feet x .305 = Meters
 Inches x 25.4 = Millimeters
 GPM x .227 = Cubic Meters/Hour
 GPM x 3.785 = Liters/Minute
 HP x .746 = KW

Speed	Impeller Dia.	Style	Solids Dia.	N _S	Suction	Discharge	No. vanes
VARIOUS	28"	ENCLOSED	4.25"	1800	14"	14"	3

SINGLE VOLUTE MOUNTING CONFIG.: F, VF, EM, VC



Performances shown are for cool water, close-coupled electric configuration with Cyclaseal®. Other mounting configurations, seal arrangements or liquids may require horsepower and/or performance adjustments.

NEW PAGE

14NHG28VA

5/02/11

CORNELL
 Efficient by Design
 Cornell Pump Company • Portland, Oregon

14NHG28 - VARIOUS RPM

DS14NHG28-52215