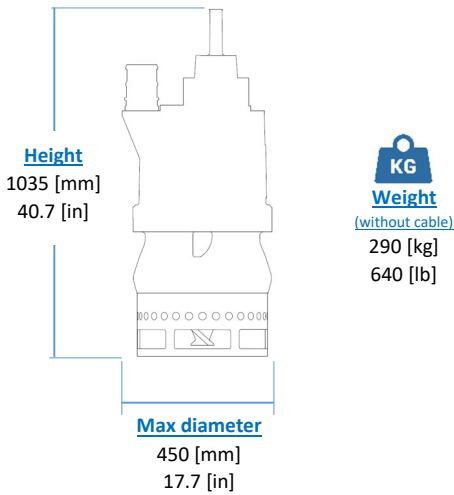
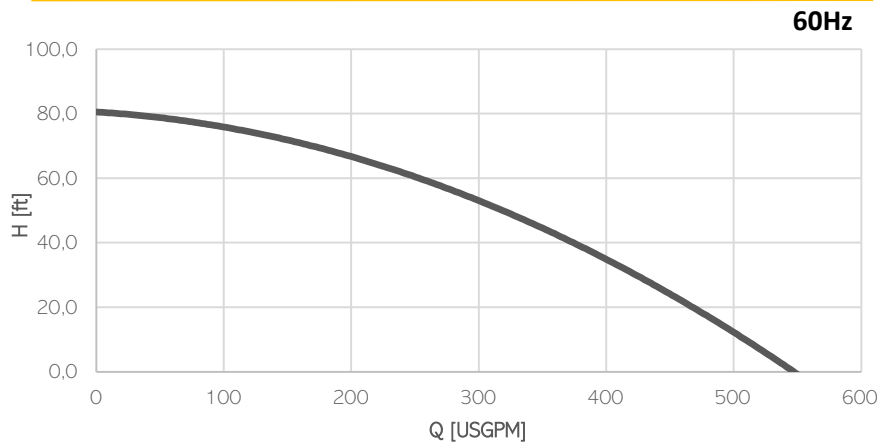


# ELECTRIC PUMP

## EL12.5S



### Electrical motor

Insulation class H

### Cable

1 x SHD-GC cable 15m (50ft)

### Operating Conditions

- Max liquid temperature 35°C
- Min Submersion depth 380mm

Model	EL12.5S
Brake Power [kW HP]	11   14.7
Electric Power [kW HP]	12.8   17
Frequency [Hz]	60
Efficiency [%]	32
Number of Poles	4
RPM	1450
Voltage [V]	575
Rated Current [A]	15,8
Solid handling [mm in]	25   1
Discharge (Hose adaptor) [mm in]	100   4"

### Materials

Part	Standard
Casing	Cast Iron EN-GJS500
Body	Cast Iron EN-GJS500
Wear Parts	High chrome EN-GJN-HV600 (CH6)
Minimum hardness [HB]	550
Main shaft	High tensile 39NiCrMo3
PH Range	5-10

### Seals and lubricants

Version	STANDARD
Motor Side	MECHANICAL
Impeller Side	MECHANICAL
Oil type	ISO32