



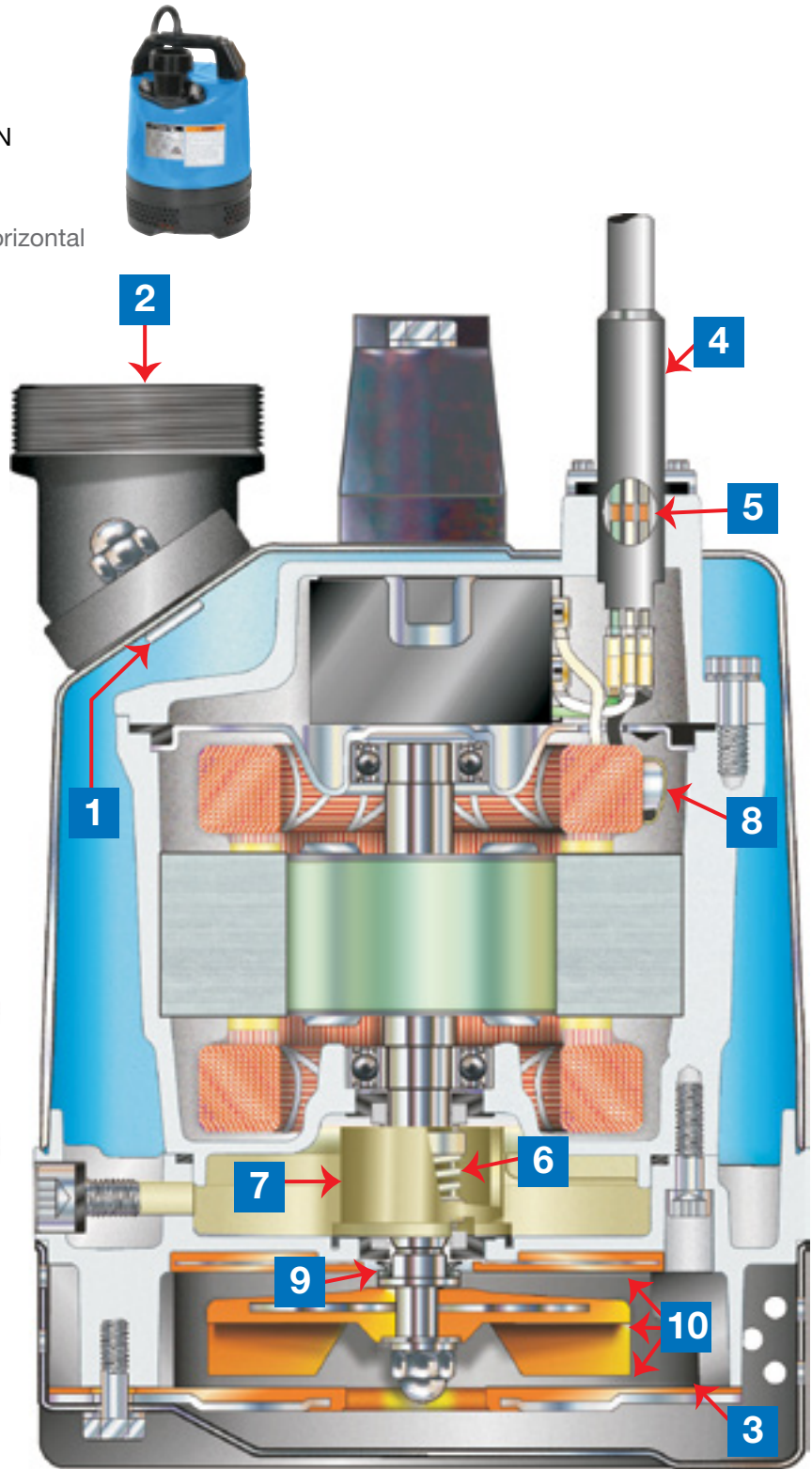
 **TSURUMI PUMP**™
BUILT FOR WORK®
CONTRACTOR PUMPS | ENGINE PUMPS | GENERATORS



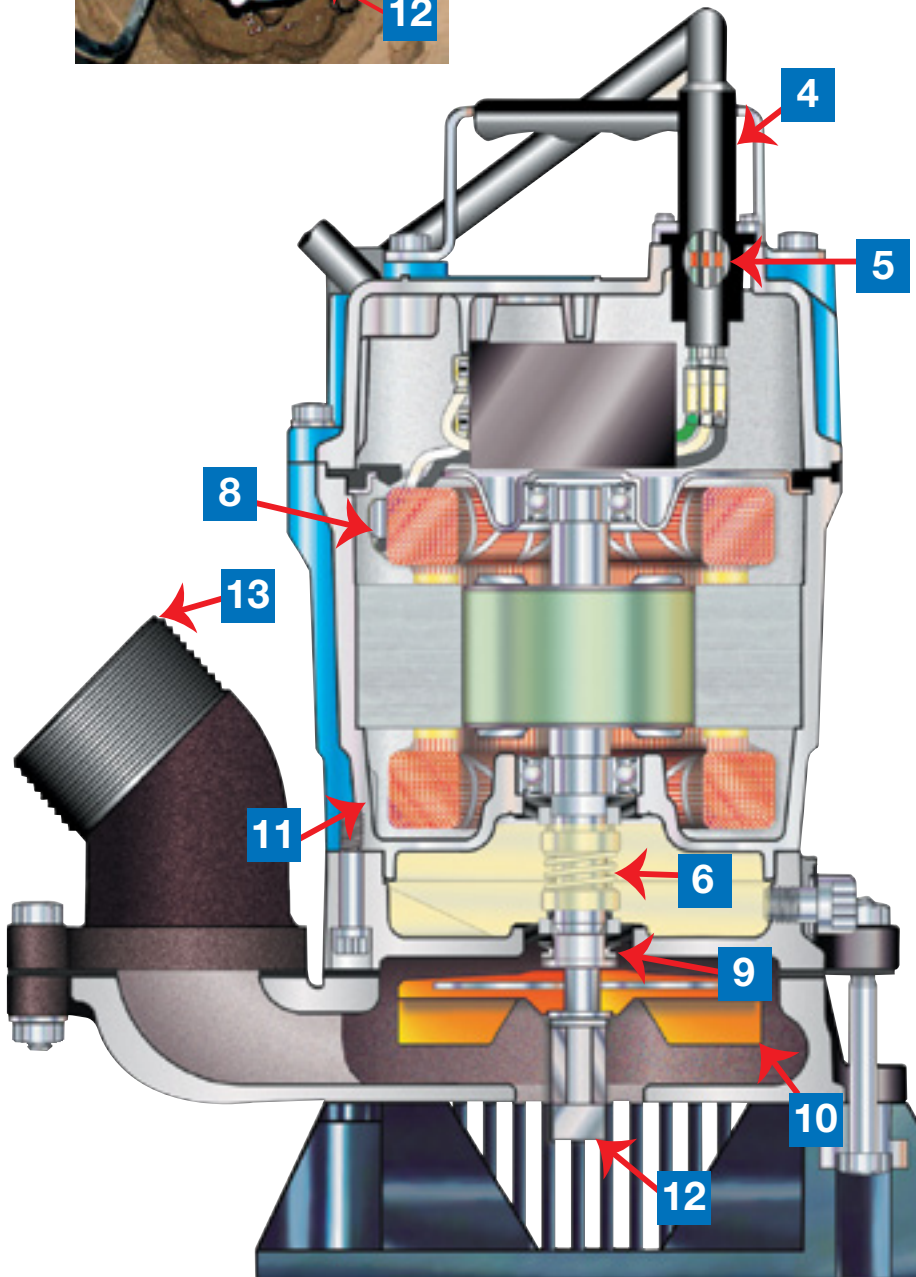
ELECTRIC SUBMERSIBLE PUMPS - Long Life by Design

LB Features

- 1** TOP DISCHARGE, FLOW THRU DESIGN
- 2** MULTI-DIRECTIONAL DISCHARGE CONNECTOR: Can be configured for horizontal or vertical discharge. Providing for a more stable installation.
- 3** RUBBER CASING WITH LARGE ROUNDED CUT-WATERS: Resists wear and degradation of performance due to abrasive particles.
- 4** CABLE BOOT: Prevents kinking at cable entrance by extending bending radius.
- 5** ANTI-WICKING BLOCK: Prevents water incursion due to capillary wicking, should the power cable be damaged or the end submerged.
- 6** DUAL INSIDE MECHANICAL SEAL WITH SILICON CARBIDE FACES: Provides longer operational life of any seal available.
- 7** OIL LIFTER: Provides lubrication of the seal faces down to 1/3 of normal oil level and extends seal life by ten times—uses no additional power.



Featured Model LB-480



Featured Model HS2.4S

(Not all features available on every Tsurumi submersible pump)

8 MINIATURE THERMAL MOTOR PROTECTOR: Protects against overheating & run-dry.

9 V-RING SEAL PROTECTOR: Protects mechanical seal from abrasive particles.

10 URETHANE, SEMI-VORTEX IMPELLER & WEAR PLATES: Resists wear by abrasive particles and does not depend on close tolerances to maintain pump performance.



Tsurumi Impeller polished, not worn by abrasive material.



Competitor Impeller is effectively worn out.

11 COPPER WINDINGS WITH CLASS E INSULATION

HS Features

12 AGITATOR: Suspends sand and mud, allowing for sediment removal from sumps or basins.

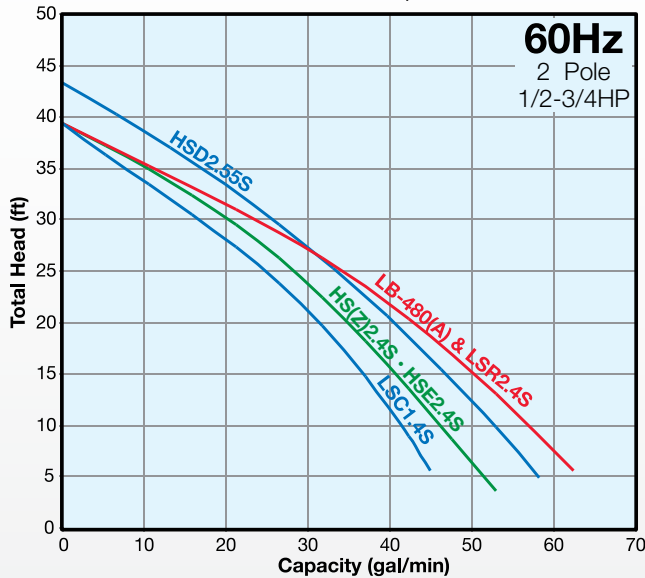
13 45° ANGLED DISCHARGE CONNECTOR: Provides for a more stable installation for either vertical or horizontal discharge hose.

GROUP PERFORMANCE RANGE

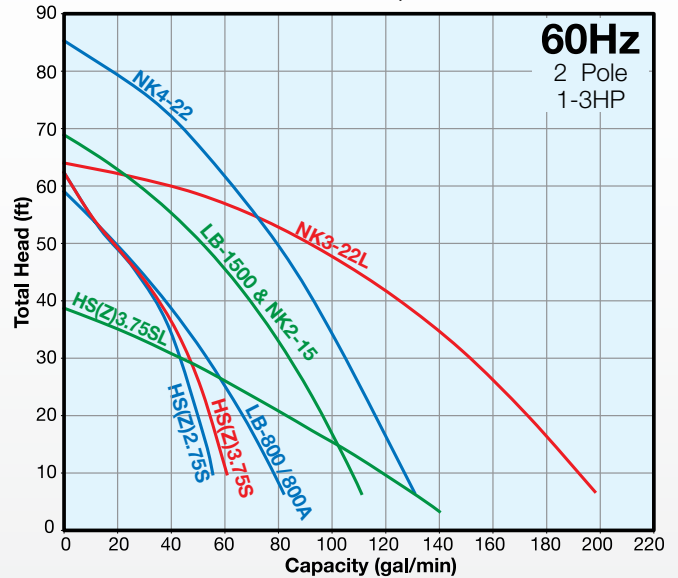
Reliable and cost-effective pumps enable Tsurumi to remain an industry leader in the rental and construction markets. Our customers know that while many pumps may look the same, only Tsurumi incorporates the most durable components into the final manufactured product.

GROUP PERFORMANCE RANGE ELECTRIC SUBMERSIBLE PUMPS

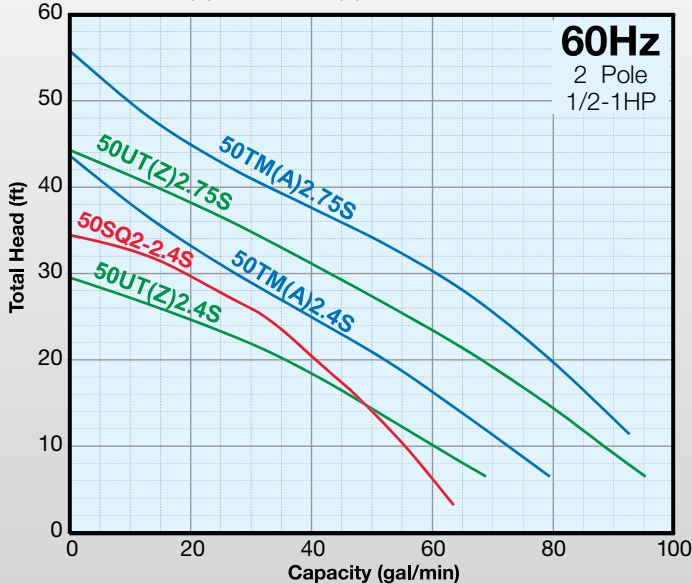
Electric Submersible Pumps: Under 1HP



Electric Submersible Pumps: 1HP or more



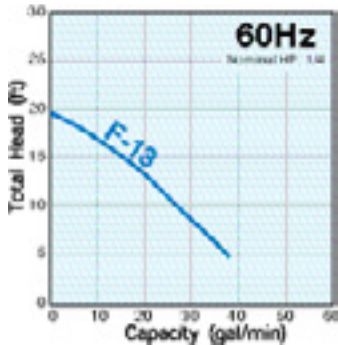
TM(A) Series • UT(Z) Series • 50SQ2-2.4S



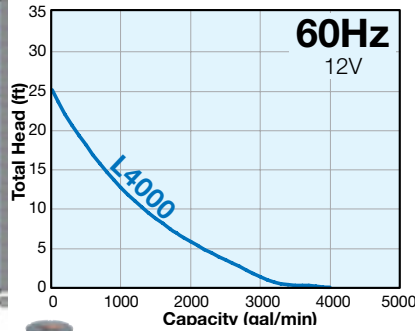
F-13 • L4000 - UTILITY PUMP

F-13: Oil free economical submersible pump for clean, surface water applications. Available ready to plug-in, with built-in level control, 1 1/4" or 3/4" NPT discharge.

L4000: Designed to meet and exceed the tough demands of commercial and recreational duty. 12VDC operation.



F-13



L4000

F-13 Features

- Completely oil free air filled motor protected by 3 oil seals
- Built-in thermal motor protector
- Incorporates a check valve built into the discharge
- Pump can be operated either manual or automatic
- 1-1/4" NPT discharge with garden hose adaptor (3/4")
- Easy grip handle design

L4000 Features

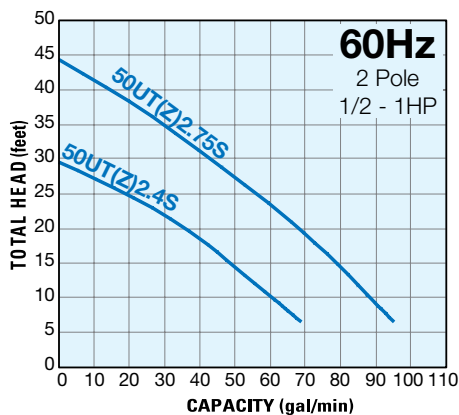
- 1 1/2" and 2" Discharge Ports
- Liquid Cooled Motor
- Universal Mounting Base
- Double-Ball Bearing
- Mechanical Shaft Seal
- Salt Water Tough
- 12VDC Motor

Model	Max. Capacity (GPM)	Max. Head (ft)	Discharge Size (in) - Internal Thread	Nominal HP	RPM	Rated Current at 115V (amps)	Standard Cable Length (ft)	Shipping Weight (lbs.)
F-13	38	19	1 1/4 or 3/4	1/4	3450	4.2	10	11

Model	Max. Capacity (GPH)	Max. Head (ft.)	Body Material	Discharge Size (in.) & Parts Material	Impeller	Shaft Seal	Voltage (V) /Amps	Standard Cable Length (ft.)	Shipping Weight (lbs.)
L-4000	4000	25	High Impact ABS Thermo-Plastic	1-1/2 & 2 Polypropylene	Glass/Nylon Composite	Mechanical (Carbon/Ceramic)	12 / 15	6	5.4

UT • UTZ - SINGLE PHASE CAST IRON SUBMERSIBLE SEWAGE PUMP

UT • UTZ Series pumps are compact economical cast iron pumps that is designed for a wide range of applications.



UT • UTZ Series Features

- LARGE DIAMETER PASSAGE - UT & UTZ pumps have a large passage (1.4") that makes it ideal for liquid containing various solids
- Heat resistant Silicon Carbide Mechanical Seals assist in cooling in the event of run-dry situations
- Motor protector protects against overheat and run-dry
- Semi-vortex, stainless steel impeller passes solids and stringy material without clogging and increases wear resistance when pumping abrasive particles]
- Available in both manual operation (UT) and automatic operation equipped with a float (UTZ)

Certified by Intertek Testing Service to UL and CSA standards for submersible construction pumps.

Model	Motor Output (HP)	Phase	Discharge Bore (inch)	Cable Length (ft)	Dimension (inch)		Continuous Running Water Level (inch)	Shipping Weight (lbs.)
					Diameter	Heights		
50UT2.4S	1/2	Single	2	20	6 3/8	13 3/4	1.4	31
50UTZ2.4S	1/2	Single	2	20	11 5/8	15 3/4	1.4	31
50UT2.75S	1	Single	2	20	6 3/8	16	1.4	37
50UTZ2.75S	1	Single	2	20	11 5/8	18	1.4	37

SPECIFICATIONS - SINGLE PHASE PUMPS: LSR • LSC • NK • SQ • UT(Z) • TM(A)

	LSR2.4S	LSC1.4S	NK2-15	NK4-22	NK3-22L	50SQ2-2.4S	50UT2.4S	50UTZ2.4S	50UT2.75S	50UTZ2.75S	50TM2.4S	50TMA2.4S	50TM2.75S	50TMA2.75S			
	2" Ground Level Pump	1" Floor Level Pump	3" Heavy Duty High Head Pump	3" Heavy Duty High Head Pump	3" Heavy Duty High Flow Pump	2" Portable Corrosion Resistant Pump	2" Cast Iron Submersible Pump	2" Cast Iron Auto Submersible Pump	2" Cast Iron Submersible Pump	2" Cast Iron Auto Submersible Pump	2" Manual Titanium Pump	2" Auto Titanium Pump	2" Manual Titanium Pump	2" Auto Titanium Pump			
FLUID	Max. Capacity (GPM)	62.4	45	111	131	210	63	69	95	79	92						
	Max. Head (ft.)	39.5	39	69	85	59	34	29.5	44	44	56						
	Solid Diameter (in.)	0.236		0.334			0.236	1.4			0.394						
PUMP	Impeller	Semi-Vortex			Semi-Open	Semi-Vortex	Semi-Vortex			Semi-Vortex							
	Impeller Material	Urethane Rubber		Ductile Iron Casing		High Chrome	PPO Plastic	Polyphenylene			PPO Plastic						
	Casing Material	Ethylene Propylene Rubber				Cast Iron	304 SS and NBR Rubber	Cast Iron			ABS Plastic						
	Wear Plate Material	Urethane Rubber		Integral Part of Casing		Ductile Iron Casing	304 Stainless Steel	---			---						
	Shaft Seal - Type / Material	Double Inside Mechanical Seal with Silicon Carbide faces on lower seals and Carbon Ceramic Faces on upper seals															
	Seal Lubricant - Type	SAE 10W/20W or Turbine Oil (ISO VG32)										White Mineral Oil (ISO VG32)					
	Seal Lubricant Amount (oz.)	5.1	5.2	9.1			5.4	5.4		7.8		8.1					
	Seal Protection	V-Ring and Oil Lifter										Oil Lifter					
	Discharge Connection	2" MNPT Coupling	3/4" MNPS Coupling	3" MNPT Coupling (2" optional)			2" FNPT Flange	2" MNPT Coupling			2" FNPT Flange						
	MOTOR	Motor Output (HP)	2/3		2	3		1/2	1/2		1	1/2		1			
Phase		Single Phase															
Voltage (V)		115		110 or 220		230	220	115 or 230		115		115 or 220		115 or 230			
Amperage - Rated Current		5.9 (115V)		23.0 (110V) 11.5 (220V)		11.7	13	5.1 (115V) 2.9 (230V)		5.7 (115V)		9.9 (115V) 5.2 (220V)		5.8 (115V) 2.9 (230V)		8.7 (115V) 4.6 (230V)	
Amperage - Starting Current		12.4 (115V)		141 (110V) 70 (220V)		70	70	18 (115V) 9 (230V)		11.1 (115V)		30.7 (110V) 17.6 (220V)		18 (115V) 7.9 (230V)		35 (115V) 16.7 (230V)	
Type		Continuous Duty, Air Filled, 3600 RPM, 60Hz															
Bearings		Double shielded, permanently lubricated, high-temp C3 with B-10 life of 60,000 hours															
Insulation Class		E		B	F	B	E	E			E						
Motor Protection (Built-In)		Miniature Protector		Circle Thermal Protector			Miniature Protector		Circle Thermal Protector	Miniature Protector	Circle Thermal Protector	Miniature Protector		Circle Thermal Protector			
Plug Configuration (Nema)		5-15P (115V)		No Plug			5-15P (115V) No Plug (230V)	5-15P (115V)		5-15P (115V) No Plug (220V)		5-15P (115V) No Plug (230V)					
Cable - # of Conductors x AWG		3C x 16AWG		3C x 12AWG	3C x 14AWG		3C x 16AWG			3C x 14AWG		3C x 16AWG		3C x 14AWG			
Standard Cable Length (ft.)		32	20	32			20			32		32					
Max. Cable Length (ft.)		110 (115V)		75 (110V) 300 (220V)		180	150	100 (115V) 380 (230V)		110 (115V)		100 (115V) 380 (220V)		45 (115V) 180 (230V)		48 (115V) 180 (230V)	
Recommended Generator Capacity (watts)		2700		7200		10000		3000		2700		4600		3000		4500	
Optional Float Switch	SLS-LSR32	SLS-LSC20	TS-304 (115V) TS-303 (220V)		TS-303		TS-301	TS-301	N/A	TS-302	N/A	TS-301	N/A	TS-302	N/A		
DIMENSION	Diameter (in.)	8 1/4	7 2/3	9 7/16	9 7/16	9 1/4	7 1/16	9 1/2	9 1/2	9 1/2	9 1/2	9 5/16					
	Height (in.)	11 3/8	12 7/16	24 1/2	24 3/16	26 1/2	14 7/16	13 3/4	15 3/4	16	18	14 3/16	14 3/4	14 15/16	15 1/2		
	Continuous Running Water Level (C.W.L.) (in.)	0.2	0.04	3 1/4	3 1/4	4 3/4	2 3/8	11 3/4	15 3/4 (Pump Starting Water Level)	11 3/4	18 (Pump Starting Water Level)	12 3/4	23 7/8 (Pump Starting Water Level)	13 5/8	24 5/8 (Pump Starting Water Level)		
	Shipping Weight (lbs.)	30	31	80	78	84	27	34	35	43	43	23	24	25	26		

PUMP ACCESSORIES for Electric Submersible Pumps, Engine Pumps & Portable Generators

Automatic Float Switch Model: TS-301 • TS-302 • TS-303 • TS-304 / SLS-LSC20 • SLS-LSR32

See Page 26-27 for more details



TS-301 • TS-302 • TS-303 • TS-304

Piggy-back float switches allow fast & easy installation of Tsurumi submersible pumps for automated operation.

TS-301 • TS-302 NEMA 5-15P plug; 30'
TS-303 NEMA 6-15P plug; 30'



SLS-LSC20 • SLS-LSR32

The surface level switch is used to automate a utility/floor sucking pump. Set the Surface Level Switch on the floor and plug the power cord from the pump into the piggyback plug on the switch. Plug the piggy-back plug into a standard 120 VAC wall outlet (the unit will also work on GFI outlets).



Hoses

See Page 26-27 for more details

Hose Kit



Hose Kit with NPT



Hose Kit with Quick Connect

Discharge Hose



NPT



Quick Connect

Other Hoses



Mill Hose



Suction Hose

Suction Hose



NPT



Quick Connect

Hose Accessories



Hose Nozzle



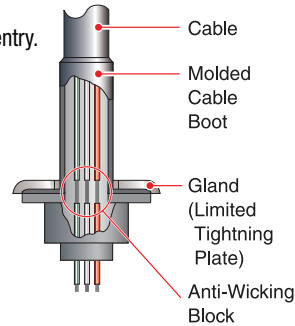
Quick Connect 'A'



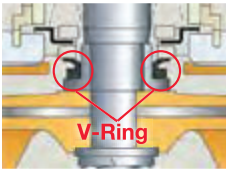
Quick Connect 'F'

Anti-Wicking Cable Entrance: Maximum protection against water incursion through the cable entry.

- Molded Cable Boot or Cable Protection Tube - extends cable bending radius, prevents abrading, and reduces fatigue.
- Cable Gland - provides 360 degree compression of cable boot, protection tube or cable bush for a water tight fit.
- Anti-Wicking Block - window cuts on conductor insulation expose strands to molded rubber or epoxy to prove water wicking through the strands and entering the motor providing protection even if the cable insulation is cut.



Circle Thermal Protector (CTP): For pumps with 1-10HP: 3-Pole protector connects to each winding of the motor and reacts to excessive heat and amperage. Automatic reset at safe temperature to restart the motor. No motor protection circuit required in starter or control panel.



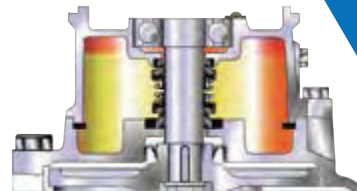
V-Ring: V-Ring is mounted at the top of the impeller and is brought in close contact to the bottom of the mechanical seal by the internal pressure of the pump casing. This V-Ring acts as a dust seal to prevent fine abrasive particles in the pumping fluid from reaching the mechanical seal.



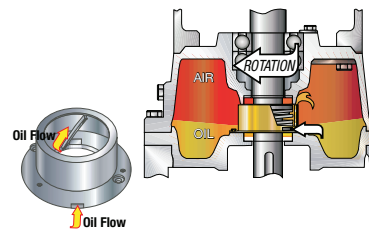
High-Performance Motor: Dry type, squirrel-cage, induction motor, housed in a watertight casing, conforms to either insulation class B or E, or F. In both of these classes, all standard pumps can be used in ambient temperature up to 104°F (40°C).

Dual Inside, Silicon Carbide Mechanical Seals:

Isolation of mechanical seals in an oil chamber provides a clean, non-corrosive and abrasion free lubricating environment to prevent spring failure due to corrosion or abrasion and bottom seal failure due to loss of cooling during dry-run conditions.



Oil Lifter: Tsurumi's Oil Lifter encloses the mechanical seal and uses the centrifugal force generated by the rotating shaft and seal to pump oil to the upper seal faces. Upper and lower seal faces are positively lubricated even when extremely low oil levels exist, as experienced after long periods of extended operation.



TSURUMI PUMP[®] BUILT FOR WORK[®]

TSURUMI (AMERICA), INC.
Headquarters: 1625 Fullerton Ct, Glendale Heights, IL 60139
Utah Office: 3822 West 1987 South, Salt Lake City, UT 84104
Tel: 1-888-878-7864 (Toll-Free) • 1-630-793-0127
Fax: 1-630-793-0146 • www.tsurumipump.com



Your Dealer

TSURUMI^{Canada}

149 J.A. Bombardier, Suite 10
Boucherville QC J4B 8P1

+14504496484
info@tsurumicanada.com
tsurumicanada.com



Find us @[tsurumiamerica](https://www.facebook.com/tsurumiamerica)