

# 8THHAP

## HYPER HIGH HEAD AUTO PRIME



**Technosub® High Performance High Pressure Auto Prime pumps are specifically designed to effectively handle a wide range of liquids in applications such as liquid transfer, wash down, fire protection, fracking and jetting where high heads and pressure are required.**

**Technosub High Performance High Pressure Auto Prime pumps provide a dependable, highly efficient solution in a completely automatic priming pump.**

**The model 8THHAP is capable of achieving maximum flows of 2375 gpm (540 m<sup>3</sup>/h) and maximum total head of 606' (185 m) with solids handling up to 1-5/8" (48 mm) in diameter.**

**The standard 8THHAP is powered by a water-cooled, 6-cylinder diesel engine. Alternative drives are available, including other diesel engines or electric motor options.**

## FEATURES

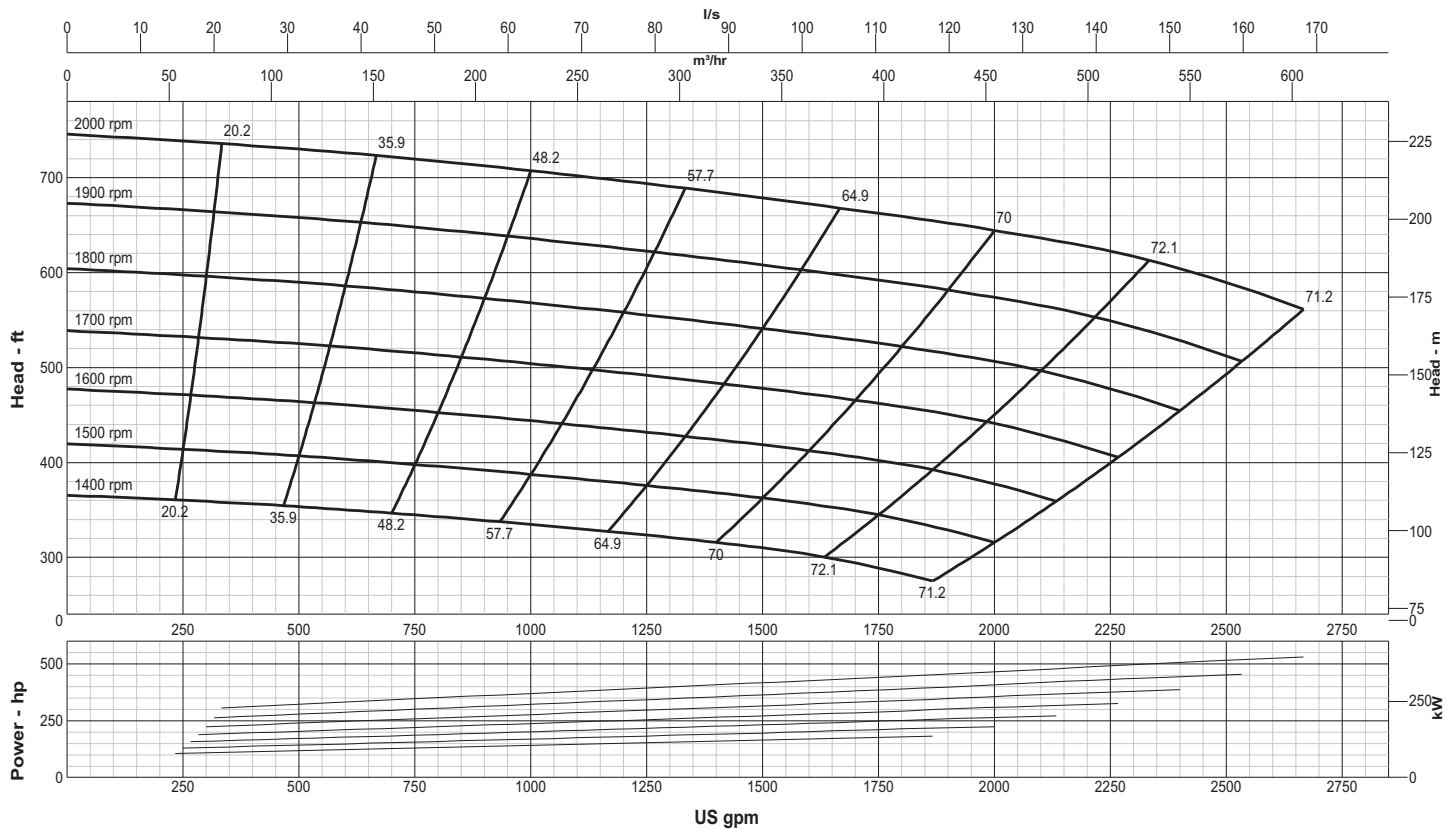
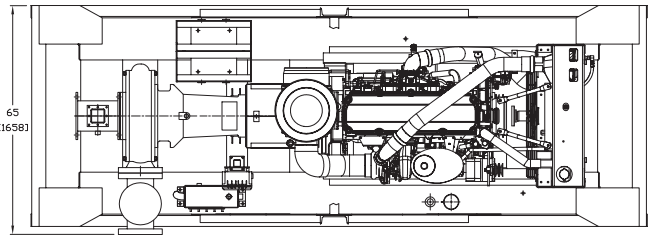
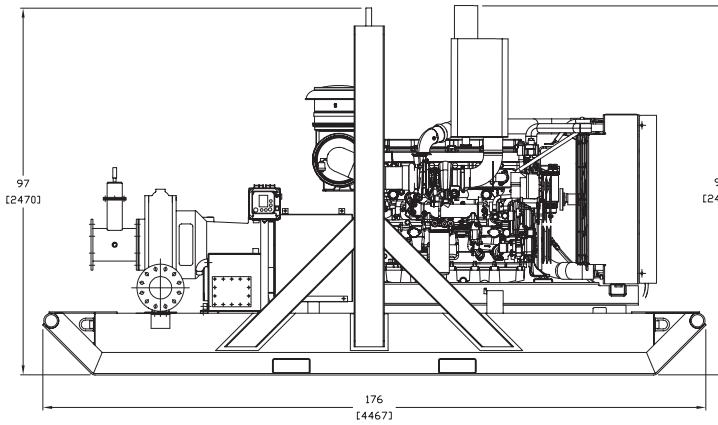
- Technosub's rugged, heavy duty pumps are engineered specifically for portable application
- Fully automatic priming system allows the pump to prime and re-prime while running
- Compressor-fed, venturi priming system provides rapid, reliable priming
- Fully guarded coupling
- Mechanical seal with biodegradable glycol quench allows the pump to start and run dry
- Non-return valve uses only a single moving part to allow full flow with minimal restriction
- Pump casings are hydrostatically tested to 50 psig (345 kPa) above the peak casing design pressure
- Standard engine control panel provides preset emergency shutdown protection and allows the addition of automatic level control
- Standard skid-mounted format with sled runners and pull bars, integral fuel tank, tie downs, lifting bail and fork pockets

## OPTIONS

- Technosub's Environmental Box captures venturi blow by, separates and silences air exhaust and returns liquid to the pump suction.
- Fuel tanks for extended run times and/or remote location as required
- Highway trailer with integral fuel cell/chassis, lights, fenders, tie downs, lifting bail, front and rear jacks
- Trailer brakes can be offered as required
- Sound attenuated enclosure options
- Hose racks, accessory containers and other custom features available as required
- Wide range of suction and discharge fittings including Technosub's own "QD" Quick Disconnect fittings and accessories

Various motor sizes available pending operating point

# 8THHAP HYPER HIGH HEAD AUTO PRIME



## SPECIFICATIONS

- **Connections:** 8" x 6" (200 mm x 150 mm) ANSI Flanges
- **Maximum Pump Speed:** 2000 rpm
- **Maximum Flow:** 2665 gpm (605 m<sup>3</sup>/h)
- **Maximum Head:** 745' (227 m)
- **Maximum Static Priming Lift:** 28' (8.5 m)
- **Water Temperature Limit:** 160° F (70° C)
- **Solids Handling Capability:** 1-3/8" (34.9 mm)
- **Maximum Casing Pressure:** 300 psig (2068 kPa)
- **Standard Compact Fuel Tank:** 500 gallons (1890 liters)
- **Dry Weight:** 11300 lbs
- **HP:** May vary, contact Sales Representative.

## PUMP MATERIALS

- **Casing:** Cast Steel (CD4MCu is an option)
- **Impeller:** CD4MCu
- **Bearing Housing:** Cast Iron
- **Bearing Lubrication:** Grease
- **Shaft:** Steel
- **Shaft Sleeve:** Stainless Steel
- **Seal:** Silicon Carbide on Silicon Carbide
- **Chassis/Fuel Cell:** Steel
- **Non-Return Valve:** Steel

Specifications and illustrations are subject to revision without notice. Technosub is not liable for any consequential, incidental or indirect damages relating to these specifications.

1 819 797-3300

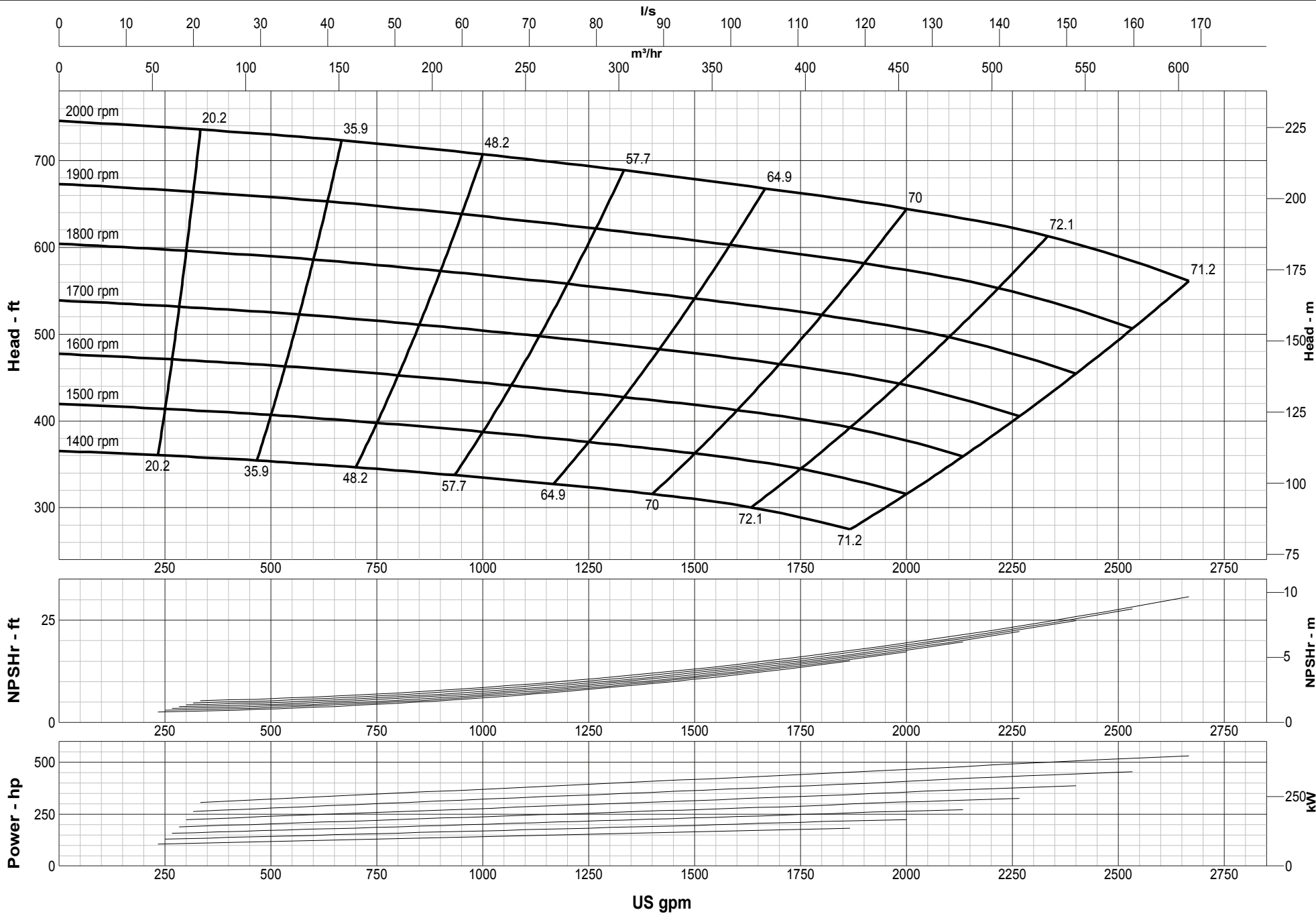
[TECHNOSUB.NET](http://TECHNOSUB.NET)

1156 Larivière avenue, Rouyn-Noranda QC Canada J9X 4K8

T 819 797-3300 F 819 797-3060 [info@technosub.net](mailto:info@technosub.net)

**Technosub**

INDUSTRIAL PUMPS  
DEWATERING SOLUTIONS



### SPECIFICATIONS

Model size : 8THHAP  
 Speed : 1600 - 2000 rpm  
 Dia : 22 in



1 819 797-3300  
 TECHNOSUB.NET  
 info@technosub.net